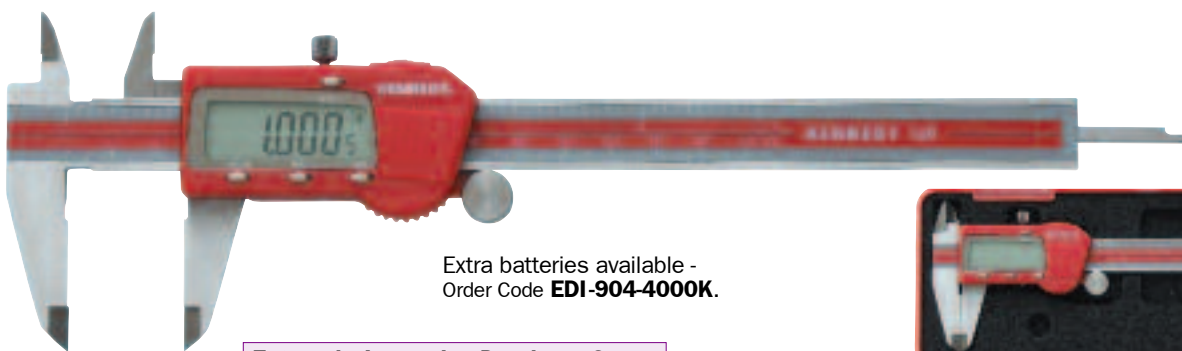
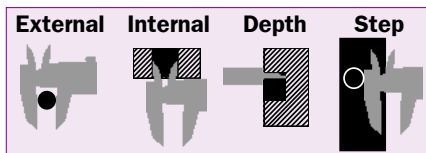


**KENNEDY** *ABSolute Digital Electronic Calipers*

Modern design with a knurled thumb wheel for easy use when taking internal and external depth and step measurements. Dual readout giving instant inch/metric conversion at the touch of a button. Zero reset at any point, large clear display, error-free operation, fast response speed. Non-output type. **Resolution:** 0.01mm/0.0005".



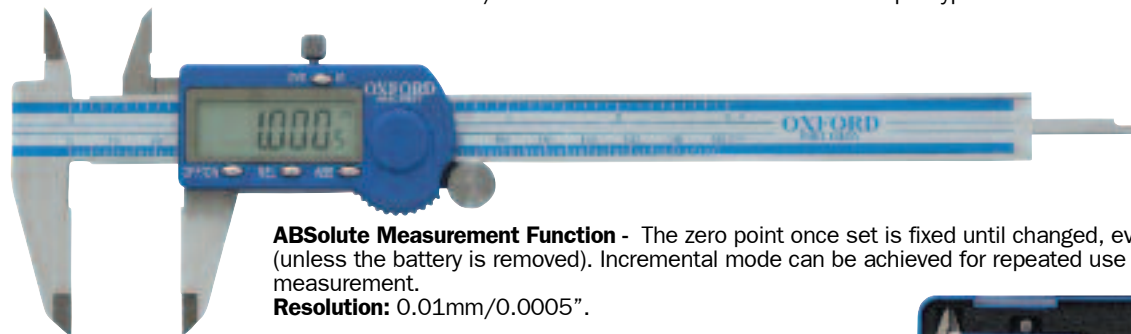
Extra batteries available - Order Code **EDI-904-4000K**.



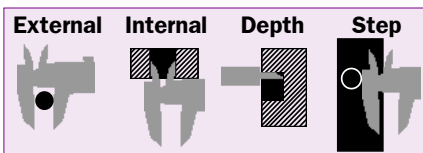
Range	Accuracy (mm)	Weight each	Order Code <b>KEN-331</b>	Price/1 TB
150mm/ 6"	±0.03	360g	<b>-2260K</b>	<b>1785.00</b>
200mm/ 8"	±0.03	425g	<b>-2280K</b>	<b>2550.00</b>
300mm/12"	±0.03	805g	<b>-2320K</b>	<b>5610.00</b>

**OXFORD** *Precision ABS Digital Calipers*

Precision ABSolute digital calipers have a thumb wheel for precise movement and a useful locking screw for checking repeat measurements. A measurement can be converted between inch/metric at the touch of a button. Non-output type.



**ABSolute Measurement Function** - The zero point once set is fixed until changed, even if the caliper is turned off (unless the battery is removed). Incremental mode can be achieved for repeated use of Go/No-Go measurement. **Resolution:** 0.01mm/0.0005".



Extra batteries available - Order Code **EDI-904-4000K**.

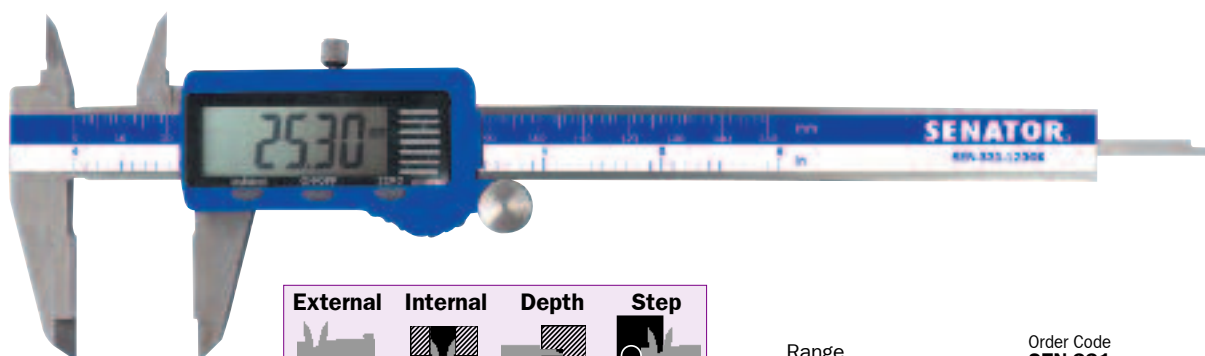
Range	Accuracy (mm)	Weight each	Order Code <b>OXD-331</b>	Price/1 TB
150mm/ 6"	±0.03	360g	<b>-2260K</b>	<b>1688.00</b>
200mm/ 8"	±0.03	460g	<b>-2280K</b>	<b>2453.00</b>
300mm/12"	±0.03	810g	<b>-2320K</b>	<b>5207.00</b>

**SENATOR** *Digital Calipers*

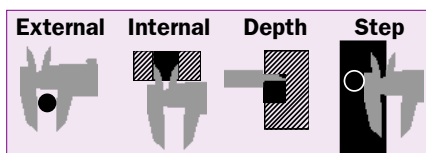
Large display for clarity. Fast response speed. Zero reset. Dual readout mm/inch. Multi-use, inside, outside, depth and step measuring. Knurled thumb grip for precise movement.



**Resolution:** 0.01mm/0.0005"  
**Accuracy:** ±0.03mm/±0.001"



**NEW**

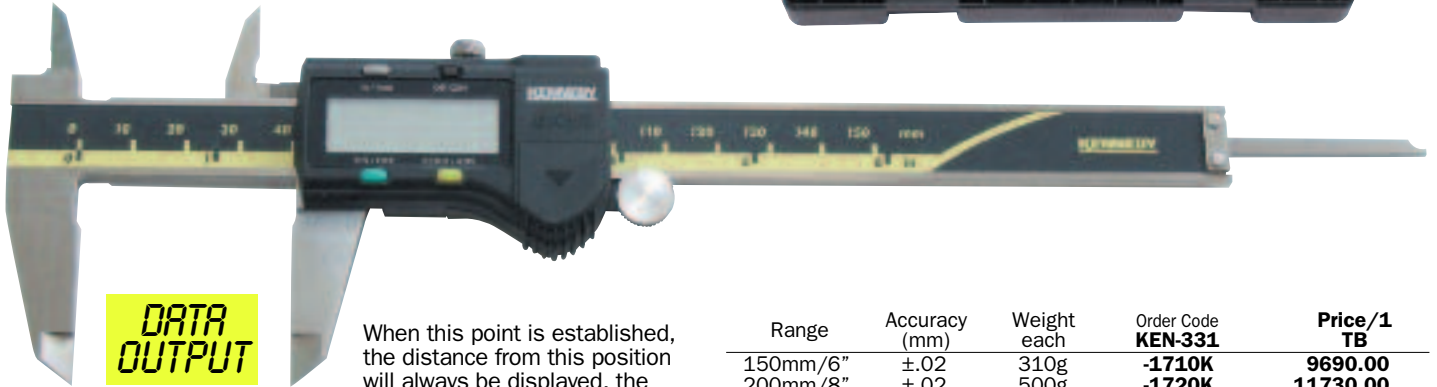


Range	Order Code <b>SEN-331</b>	Price/1 TB
150mm/6"	<b>-1230K</b>	<b>1479.00</b>
200mm/8"	<b>-1250K</b>	<b>2142.00</b>
300mm/12"	<b>-1290K</b>	<b>4845.00</b>

**PRECISION EQUIPMENT**

**KENNEDY** *ABSolute Calipers with SPC Output*

With SPC data output (compatible with Mitutoyo SPC equipment), inch/metric conversion, On/off switch and zero set at any point. The absolute zero feature enables an (ABS) 'origin point' to be set anywhere within the measuring range.



**DATA OUTPUT**

When this point is established, the distance from this position will always be displayed, the intelligent memory retains the 'origin point' even when powered off. Infinite response speed, large LCD feature.

Range	Accuracy (mm)	Weight each	Order Code <b>KEN-331</b>	Price/1 TB
150mm/6"	±.02	310g	<b>-1710K</b>	<b>9690.00</b>
200mm/8"	±.02	500g	<b>-1720K</b>	<b>11730.00</b>
300mm/12"	±.02	750g	<b>-1730K</b>	<b>18870.00</b>

**Connecting Cable**

For SPC data output compatible calipers. Complete with data hold switch.

Product Number	Length	Weight each	Order Code <b>KEN-331</b>	Price/1 TB
959149	1m	40g	<b>-9010K</b>	<b>3060.00</b>
959150	2m	60g	<b>-9020K</b>	<b>4590.00</b>

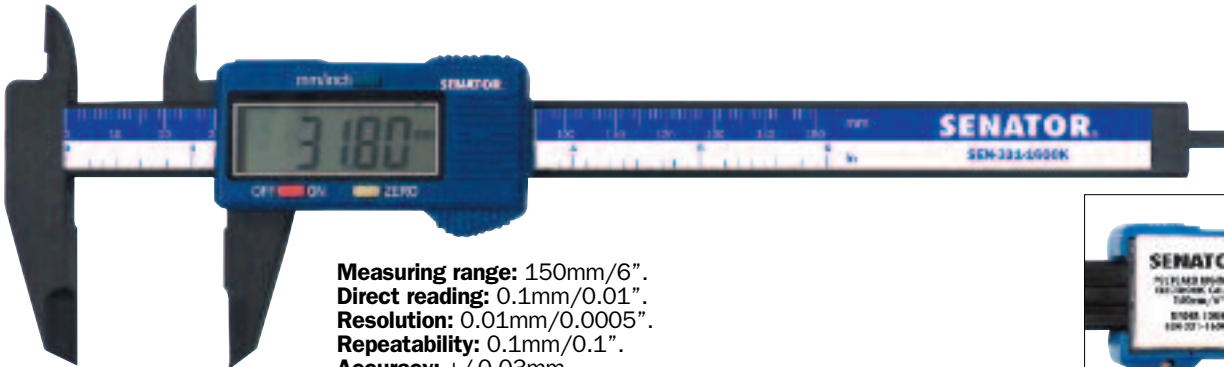
**Resolution:** 0.01mm/0.0005".

Extra batteries available - Order Code **ENR-904-0150K**.

**SENATOR** *Digital Caliper*

**Carbon Fibre Digital Electronic Caliper - 150mm/6"**

Carbon fibre composite shaft. Measures outside, inside, step and depth. Uses one SR44 battery.



**NEW**

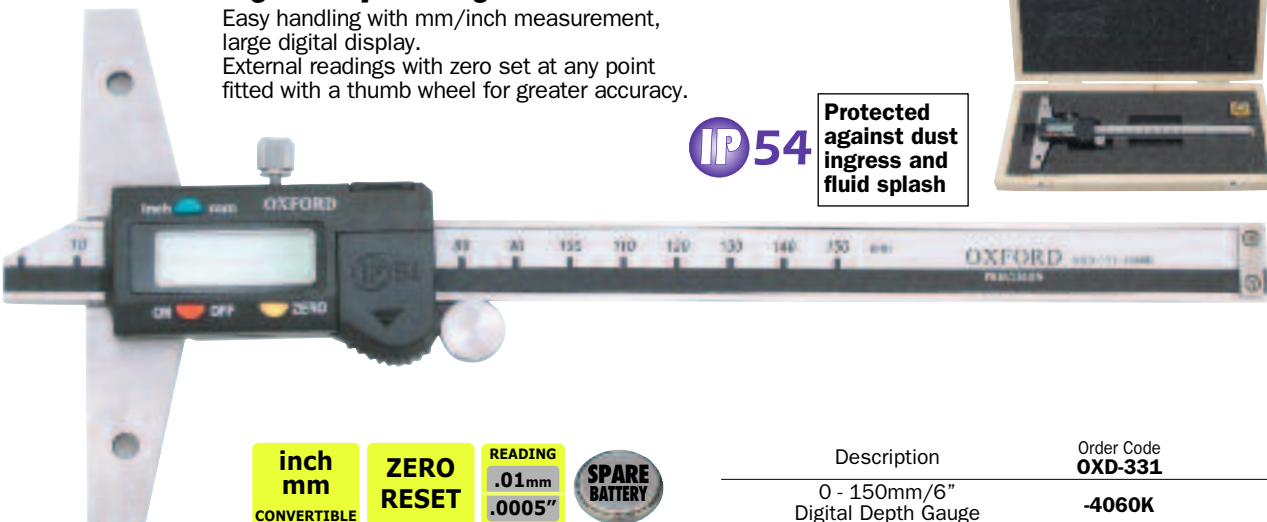
**Measuring range:** 150mm/6".  
**Direct reading:** 0.1mm/0.01".  
**Resolution:** 0.01mm/0.0005".  
**Repeatability:** 0.1mm/0.1".  
**Accuracy:** +/-0.03mm.  
Manufactured to conform to:  
**EN 61000-6-3:2007,**  
**EN 6100-6-1:2007.**



Description	Order Code <b>SEN-331</b>	Price/1 TB
0 - 150mm/6" Digital Depth Gauge	<b>-1600K</b>	<b>815.00</b>

**OXFORD** *0 - 150mm/0 - 6" Digital Depth Gauge*

Easy handling with mm/inch measurement, large digital display. External readings with zero set at any point fitted with a thumb wheel for greater accuracy.



**IP54**

**Protected against dust ingress and fluid splash**



**inch mm CONVERTIBLE**   **ZERO RESET**   **READING .01mm .0005"**   **SPARE BATTERY**

Description	Order Code <b>OXD-331</b>	Price/1 TB
0 - 150mm/6" Digital Depth Gauge	<b>-4060K</b>	<b>2555.00</b>

**PRODUCTS ARE ONLY AVAILABLE VIA YOUR DISTRIBUTOR**

**PRECISION EQUIPMENT**