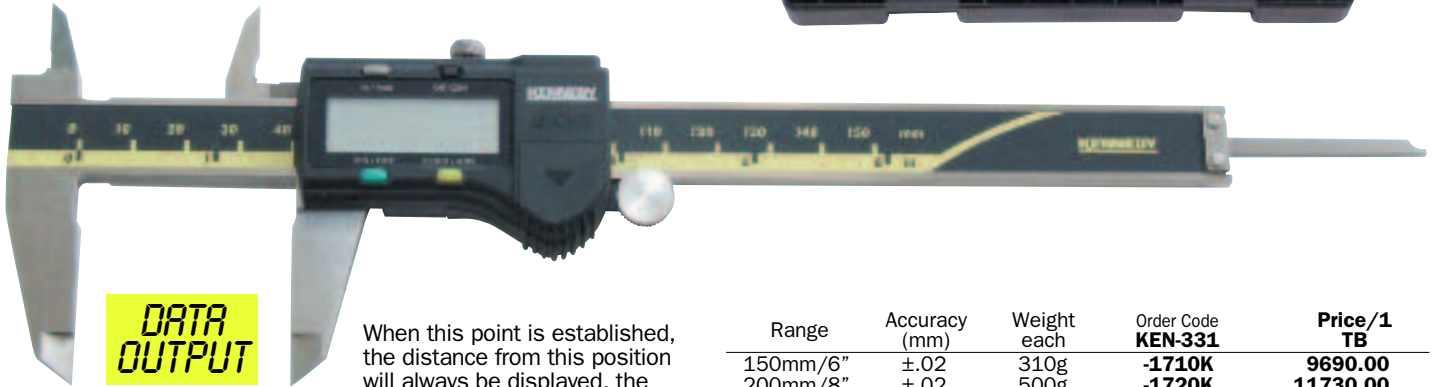


KENNEDY **Absolute Calipers with SPC Output**

With SPC data output (compatible with Mitutoyo SPC equipment), inch/metric conversion, On/off switch and zero set at any point. The absolute zero feature enables an (ABS) 'origin point' to be set anywhere within the measuring range.



DATA OUTPUT

When this point is established, the distance from this position will always be displayed, the intelligent memory retains the 'origin point' even when powered off. Infinite response speed, large LCD feature.

Range	Accuracy (mm)	Weight each	Order Code KEN-331	Price/1 TB
150mm/6"	±.02	310g	-1710K	9690.00
200mm/8"	±.02	500g	-1720K	11730.00
300mm/12"	±.02	750g	-1730K	18870.00

Connecting Cable

For SPC data output compatible calipers. Complete with data hold switch.

Product Number	Length	Weight each	Order Code KEN-331	Price/1 TB
959149	1m	40g	-9010K	3060.00
959150	2m	60g	-9020K	4590.00

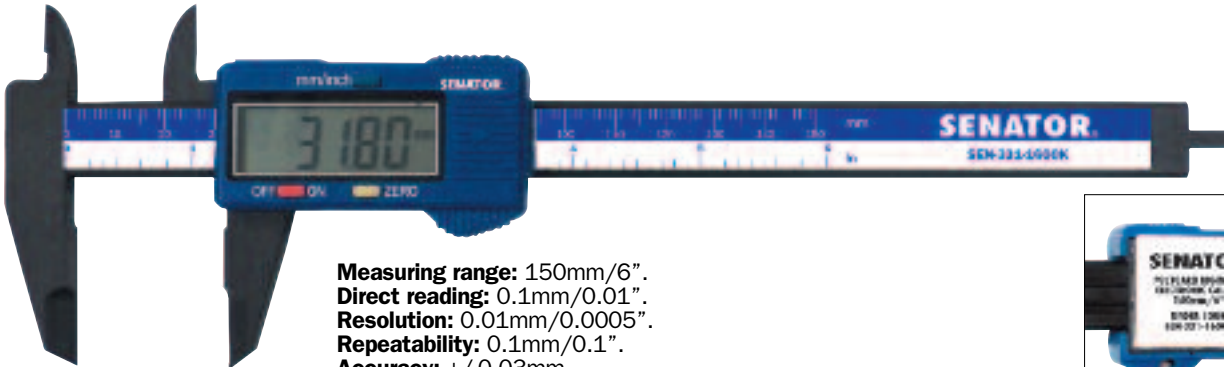
Resolution: 0.01mm/0.0005".

Extra batteries available - Order Code **ENR-904-0150K**.

SENATOR **Digital Caliper**

Carbon Fibre Digital Electronic Caliper - 150mm/6"

Carbon fibre composite shaft. Measures outside, inside, step and depth. Uses one SR44 battery.



Measuring range: 150mm/6".
Direct reading: 0.1mm/0.01".
Resolution: 0.01mm/0.0005".
Repeatability: 0.1mm/0.1".
Accuracy: +/-0.03mm.
 Manufactured to conform to:
EN 61000-6-3:2007,
EN 6100-6-1:2007.

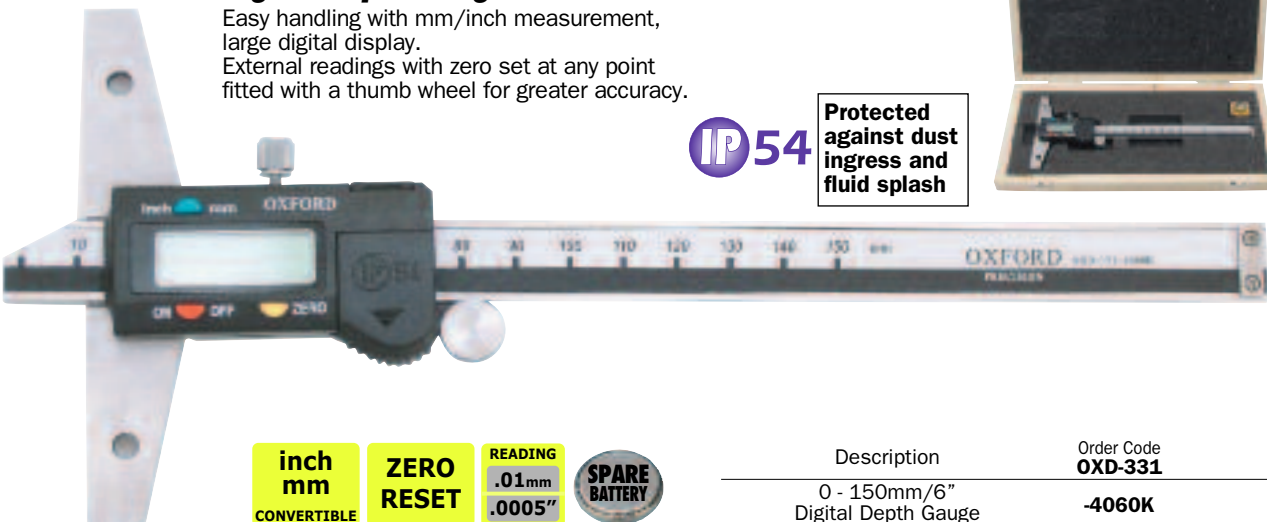


NEW

Description	Order Code SEN-331	Price/1 TB
0 - 150mm/6" Digital Depth Gauge	-1600K	815.00

OXFORD **0 - 150mm/0 - 6" Digital Depth Gauge**

Easy handling with mm/inch measurement, large digital display. External readings with zero set at any point fitted with a thumb wheel for greater accuracy.



IP54

Protected against dust ingress and fluid splash



inch mm CONVERTIBLE **ZERO RESET** **READING .01mm .0005"** **SPARE BATTERY**

Description	Order Code OXD-331	Price/1 TB
0 - 150mm/6" Digital Depth Gauge	-4060K	2555.00

PRODUCTS ARE ONLY AVAILABLE VIA YOUR DISTRIBUTOR

PRECISION EQUIPMENT