



**Permanent Mag Stand**

**Mini-Mag Stand**

With one magnetic face. Light duty with standard clamp, 30mm diameter keeper.

**Mounts:**

1/4" I/D lug, stem/spigot diameter: 5/16".

**Column height x dia.:**

120 x 6.3mm.

**Magnetic pull:**

14.75kg.

**Base dimensions:**

30 x 35mm.



Overall Height	Weight each	Order Code	Price/1 TB
150mm	314g	<b>-2010K</b>	<b>1019.00</b>

**MAGNETIC BASES & COMPARATOR STANDS**



**Mini-Mag Stand**

One magnetic face. Standard clamp. 30mm diameter base.

**Mounts:**

1/4" I/D lug, stem/spigot diameter: 5/16" and dovetail clamp.

**Base dimensions:**

30 x 35mm.

**Column height x dia.:**

150 x 6.3mm.

**Crossbar length x dia.:**

120 x 6.3mm.

**Magnetic pull:**

14kg.



Overall Height	Weight each	Order Code	Price/1 TB
150mm	0.38kg	<b>-7010K</b>	<b>872.00</b>

**Universal 4 Mag Stand**

With four magnetic faces, one at 45°. Universal clamp.

**Mounts:**

1/4" I/D lug, stem/spigot diameter: 1/8", 5/16" and 3/8".

**Base dimensions:**

60 x 50 x 55mm.

**Column height x dia.:**

175 x 12mm.

**Crossbar x dia.:**

160 x 10.0mm.

**Magnetic pull:**

30kg.



Overall Height	Weight each	Order Code	Price/1 TB
230mm	1.20kg	<b>-7100K</b>	<b>1382.00</b>

**Lever Switchable Universal 2 Mag Stand**

With two magnetic faces and large vee.



Heavy duty with universal clamp.

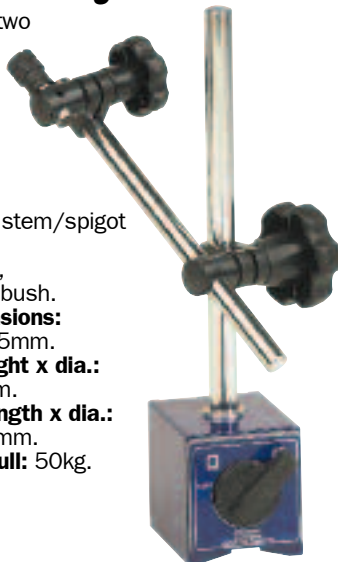
**Mounts:**

1/4" I/D lug, stem/spigot diameter: 4mm, 8mm, 3/8" without bush.

Overall Height	Weight each	Order Code	Price/1 TB
230mm	1.2kg	<b>-2030K</b>	<b>2346.00</b>

**Universal 2 Mag Stand**

Lever type, two magnetic faces and large vee. With universal clamp.



**Mounts:**

1/4" I/D lug, stem/spigot diameter: 4mm, 8mm, 3/8" without bush.

**Base dimensions:**

60 x 65 x 55mm.

**Column height x dia.:**

175 x 12mm.

**Crossbar length x dia.:**

160 x 10.0mm.

**Magnetic pull:**

50kg.

Overall Height	Weight each	Order Code	Price/1 TB
230mm	1.20kg	<b>-7030K</b>	<b>949.00</b>

**Compact 4 Mag Stand**

With four magnetic faces, one at 45°. Standard clamp.

**Mounts:**

1/4" I/D lug, stem/spigot diameter: 5/16".

**Base dimensions:**

50 x 50 x 76mm.

**Column height x dia.:**

185 x 12mm.

**Crossbar length x dia.:**

165 x 6.3mm.

**Magnetic pull:**

30kg.



Overall Height	Weight each	Order Code	Price/1 TB
280mm	1.90kg	<b>-7080K</b>	<b>1331.00</b>

**Lever Switchable Fine Adjustable 2 Mag Stand**

With two magnetic faces and large vee. Heavy duty with universal clamp and fine adjustment.



**Mounts:**

1/4" I/D lug, stem/spigot diameter: 4mm, 8mm, 3/8" without bush.

**Base dimensions:**

60 x 50 x 55mm.

**Column height x dia.:**

175 x 12mm.

**Crossbar length x dia.:**

165 x 10mm.

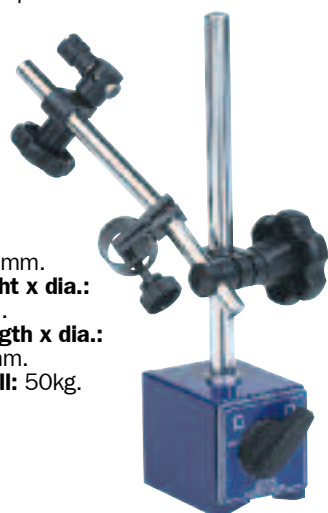
**Magnetic pull:**

50kg.

Overall Height	Weight each	Order Code	Price/1 TB
230mm	1.2kg	<b>-2050K</b>	<b>2550.00</b>

**Fine Adjustment 2 Mag Stand**

Lever type two magnetic faces and large vee. Universal clamp.



**Mounts:**

1/4" I/D lug, stem/spigot diameter: 4mm, 8mm, 3/8" without bush.

**Base dimensions:**

60 x 50 x 55mm.

**Column height x dia.:**

175 x 12mm.

**Crossbar length x dia.:**

160 x 10.0mm.

**Magnetic pull:**

50kg.

Overall Height	Weight each	Order Code	Price/1 TB
230mm	1.20kg	<b>-7050K</b>	<b>1000.00</b>

**Fine Adjusting 4 Mag Stand**

With four magnetic faces, one at 45°. Heavy duty with universal clamp and fine adjustment.

**Mounts:**

1/4" I/D lug, stem/spigot diameter: 1/8", 1/4".

**Base dimensions:**

64 x 64 x 76mm.

**Column height x diameter:**

175 x 12mm.

**Crossbar length x diameter:**

165 x 10.0mm.

**Magnetic pull:**

80kg.



Overall Height	Weight each	Order Code	Price/1 TB
280mm	1.90kg	<b>-2060K</b>	<b>6426.00</b>

**PRECISION EQUIPMENT**

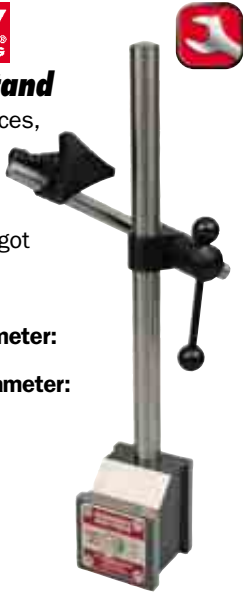
**PRODUCTS ARE ONLY AVAILABLE VIA YOUR DISTRIBUTOR**



**Major 4 Mag Stand**

With four magnetic faces, one at 45°. Heavy duty with universal clamp.

**Mounts:** 1/4" I/D lug, stem/spigot diameter: 1/4", 5/16".  
**Base dimensions:** 64 x 64 x 76mm.  
**Column height x diameter:** 266 x 20mm.  
**Crossbar length x diameter:** 200 x 14.0mm.  
**Magnetic pull:** 80kg.



Overall Height	Weight each	Order Code KEN-333	Price/1 TB
380mm	3.00kg	-2070K	12240.00

**Compact 4 Mag Stand**

With four magnetic faces, one at 45°. Medium duty with standard clamp.

**Mounts:** 1/4" I/D lug, stem/spigot diameter: 5/16".  
**Base dimensions:** 50 x 50 x 76mm.  
**Column height x diameter:** 185 x 12mm.  
**Crossbar length x diameter:** 150 x 6.3mm.  
**Magnetic pull:** 30kg.



Overall Height	Weight each	Order Code KEN-333	Price/1 TB
273mm	0.89kg	-2080K	4488.00

**Universal 4 Mag Stand**

With four magnetic faces, one at 45°. Heavy duty with universal clamp.

**Mounts:** 1/4" I/D lug, stem/spigot diameter: 1/8", 5/16" and 3/8".  
**Base dimensions:** 48 x 40 x 50mm.  
**Column height x diameter:** 175 x 12mm.  
**Crossbar length x diameter:** 165 x 10.0mm.  
**Magnetic pull:** 30kg



Overall Height	Weight each	Order Code KEN-333	Price/1 TB
227mm	0.90kg	-2100K	3876.00

**Lever Switchable Mini Elbow Joint 2 Mag Stand**

Compact in design, this stand has a magnetic pull of 40kg with positive switching, fully adjustable joints and slotted 'V' groove.

**Mounts:** 1/4" I/D lug, dovetail stem/spigot diameter: 5/16".  
**Base dimensions:** 36 x 30 x 35mm.  
**Column height x diameter:** Up to 150 x 12mm.  
**Magnetic pull:** 40kg.



Mini Elbow Joint	Weight each	Order Code KEN-333	Price/1 TB
2 Mag	420g	-2140K	5355.00

**Lever Switchable Large Elbow Joint 2 Mag Stand**

Large stand with two powerful magnetic faces producing a magnetic pull of 80kg. Positive switching, fully adjustable joints and slotted 'V' groove for versatility.

**Mounts:** 1/4" I/D lug, dovetail stem/spigot diameter: 5/16".  
**Base dimensions:** 60 x 50 x 55mm.  
**Column height x diameter:** Up to 300 x 17mm.  
**Magnetic pull:** 80kg.



Large Elbow Joint	Weight each	Order Code KEN-333	Price/1 TB
2 Mag	1.62kg	-2150K	6630.00

**Lever Switchable Elbow Joint 2 Mag Stand**

With two magnetic faces and large vee. Medium duty special clamp with fine adjustment.

**Mounts:** 1/4" I/D lug, dovetail stem/spigot diameter: 5/16".

**Base dimensions:** 60 x 50 x 55mm.  
**Column height x diameter:** Up to 280 x 15mm.  
**Magnetic pull:** 50kg.



Elbow Joint	Weight each	Order Code KEN-333	Price/1 TB
2 Mag	1.2kg	-2110K	4896.00

**Lever Type Base - 50kg**

Fitted as standard to KEN-333-2030K, -2050K and -2110K two magnetic faces, bottom and back face. Large vee for curved surfaces.

**Threaded:** M8 x 1.25mm.  
**Base dimensions:** 60 x 50 x 55mm.  
**Magnetic pull:** 50kg.



Magnetic Pull	Weight each	Order Code KEN-333	Price/1 TB
50kg	850g	-2240K	1887.00

**Push Button Base - 30kg**

Fitted as standard to KEN-333-2080K and -2100K. Four magnetic faces, bottom, sides and 45° angle face for curved surfaces.

**Threaded:** M8 x 1.25mm.  
**Magnetic pull:** 30kg.



Magnetic Pull	Weight each	Order Code KEN-333	Price/1 TB
30kg	850g	-2220K	2907.00

**Push Button Base - 80kg**

Fitted as standard to KEN-333-2060K and -2070K. Four magnetic faces, bottom, sides and 45° angle face for curved surfaces.

**Threaded:** M8 x 1.25mm.  
**Magnetic pull:** 80kg.



Magnetic Pull	Weight each	Order Code KEN-333	Price/1 TB
80kg	850g	-2200K	7650.00

**PRECISION EQUIPMENT**

**KENNEDY** *Magnetic Stand Fittings*

All main columns are threaded M8 x 1.25mm and are interchangeable with Kennedy, Oxford, Mitutoyo etc. base units except mini-mag (M6 x 1mm) also suitable for incorporating into special fixtures or threaded pot magnets.

**Light Duty Fitment - Plain**  
Fitted as standard to **KEN-333-2010K**.  
(See page 650).

**Column:** 6.3 x 120mm.  
**Threaded:** M6 x 1mm.



6.3mm Standard Clamp To Suit	Weight each	Order Code <b>KEN-333</b>	<b>Price/1 TB</b>
1/4" I/D Lug, Stem/Spigot Dia. 5/16"	90g	-2500K	918.00

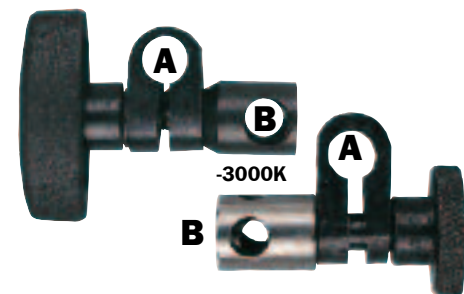
**Heavy Duty Fitment - Fine Adjusting**  
Fitted as standard to **KEN-333-2060K** and **KEN-333-2050K**.  
(See pages 652 and 650).



**Column:** 12 x 175mm.  
**Cross bar:** 10 x 165mm with fine adjustment.  
**Threaded:** M8 x 1.25mm.

10mm Universal Clamp To Suit	Weight each	Order Code <b>KEN-333</b>	<b>Price/1 TB</b>
1/4" I/D Lug, Stem/Spigot Dia. 1/8", 1/4", 5/16" & 3/8"	442g	-2400K	1428.00

**Spare Knuckle Assemblies**  
For connecting columns and crossbars

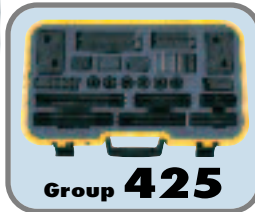


Accepts A & B	Weight each	Order Code <b>KEN-333</b>	<b>Price/1 TB</b>
5/16" & 1/4" O/D	50g	-3000K	281.00
10 & 10mm O/D	55g	-3010K	434.00
12 & 8mm O/D	58g	-2900K	434.00
12 & 10mm O/D	60g	-2920K	464.00

**MAGNETIC BASES & COMPARATOR STANDS**

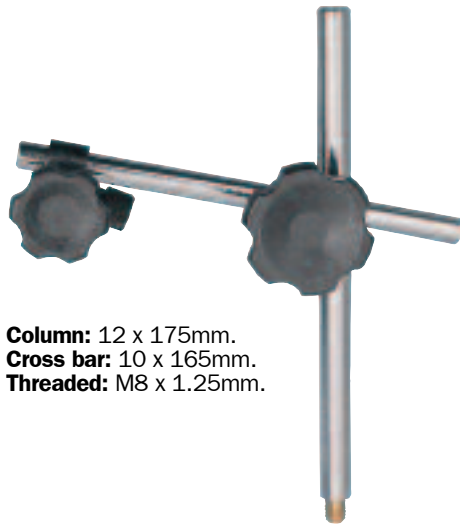
**Medium Duty Fitment - Plain**  
Fitted as standard to **KEN-333-2080K**.  
(See page 652).

**Column:** 12 x 185mm.  
**Cross bar:** 6.3 x 150mm.  
**Threaded:** M8 x 1.25mm.



6.3mm Standard Clamp To Suit	Weight each	Order Code <b>KEN-333</b>	<b>Price/1 TB</b>
1/4" I/D Lug, Stem/Spigot Dia. 5/16"	420g	-2460K	1530.00

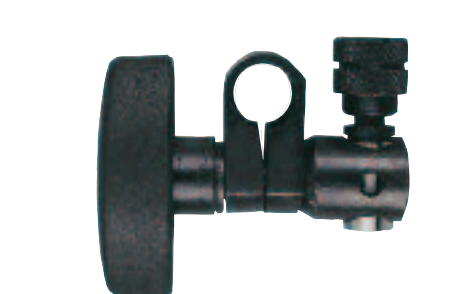
**Heavy Duty Fitment - Plain**  
Fitted as standard to **KEN-333-2100K** and **KEN-333-2030K**. (See pages 652 and 650).



**Column:** 12 x 175mm.  
**Cross bar:** 10 x 165mm.  
**Threaded:** M8 x 1.25mm.

10mm Universal Clamp To Suit	Weight each	Order Code <b>KEN-333</b>	<b>Price/1 TB</b>
1/4" I/D Lug, Stem/Spigot Dia. 1/8", 1/4", 5/16" & 3/8"	400g	-2420K	1326.00

**Crossbar Assembly**  
With lug adaptor. 1/4" I/D lug



Accepts	Weight each	Order Code <b>KEN-333</b>	<b>Price/1 TB</b>
4, 8, & 10mm Spigot To Fit 10mm Bar	85g	-3020K	372.00
4, 6 & 8mm Spigot To Fit 12mm Bar	85g	-3040K	485.00

**Medium Duty Fitment - 3 Point**  
Fitted as standard to **KEN-333-2110K**.  
(See page 651).

**3 point adjustable column:** 15 x 280mm max.  
**Threaded:** M8 x 1.25mm.



3 Point Special Clamp To Suit	Weight each	Order Code <b>KEN-333</b>	<b>Price/1 TB</b>
1/4" I/D Lug, Dovetails Stem/Spigot Dia. 5/16"	312g	-2480K	1785.00

**Heavy Duty Fitment - Plain**  
Fitted as standard to **KEN-333-2070K**.  
(See page 652).



**Column:** 20 x 266mm.  
**Cross bar:** 12 x 200mm.  
**Threaded:** M8 x 1.25mm.

14mm Universal Clamp To Suit	Weight each	Order Code <b>KEN-333</b>	<b>Price/1 TB</b>
1/4" I/D Lug, Stem/Spigot Dia. 1/8", 1/4", 5/16" & 3/8"	1450g	-2440K	3672.00

**Crossbar Assembly**  
With lug adaptor.



6.3mm Standard Clamp To Suit	Weight each	Order Code <b>KEN-333</b>	<b>Price/1 TB</b>
1/4" I/D Lug, Stem/Spigot Dia. 6mm	21g	-3200K	255.00

**PRECISION EQUIPMENT**