

GROUP 335 BORE GAUGES

OXFORD PRECISION Dial Indicating Bore Gauges

29mm 1 1/8" Dial Diameter

Suitable for rapid, accurate measurement of size, concentricity, wear, taper, etc., in a wide range of bores. For workshop and inspection use. All models have one fixed and one moving anvil and a self-adjusting centre shoe. A 'datum point' can be set by using a setting ring of a known diameter or a micrometer. 'Zero' the gauge to this datum point by rotating the bezel to align 'zero' with the indicator. To check a bore is within tolerance, the limit hands can be fixed as required. All anvils are spring loaded to expand into the bore. For accurate reading ensure the stem of the gauge is parallel to the axis of the bore. This can be checked by 'rocking' the gauge back and forth until the smallest diameter is found. All models have inter-changeable anvils to cover a range of bore sizes.



Supplied in a tough hard case.

Type	Graduation	Face Dial	Reading	Travel Per Rev	Total Travel
Metric	0.01mm	57mm	0-100	1mm	3mm
Inch	0.0005"	2 3/16"	0-25-0	0.050"	0.25"

Range	Bore Depth	Weight each	Order Code	Price/1 TB
18 - 35	200	0.58kg	-1400K	4345.00
35 - 50	240	0.95kg	-1450K	4463.00
50 - 150	240	1.28kg	-1500K	4639.00
0.7 - 1.5"	7 1/2"	0.53kg	-1000K	4111.00
1.4 - 2.4"	9"	0.90kg	-1050K	4522.00
2.0 - 6.0"	9"	1.20kg	-1100K	4639.00



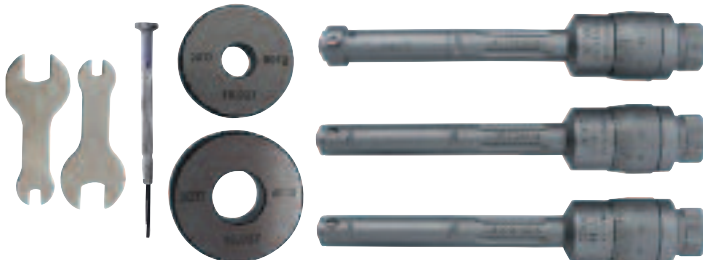
3 Point Bore Micrometer Sets



Designed to self-centre, for accurate measuring of bores. Extension rods for measuring 170mm deep on 11 - 20mm and 220mm deep on 20 - 40mm. Satin finish, fitted with knurled ratchet stop.

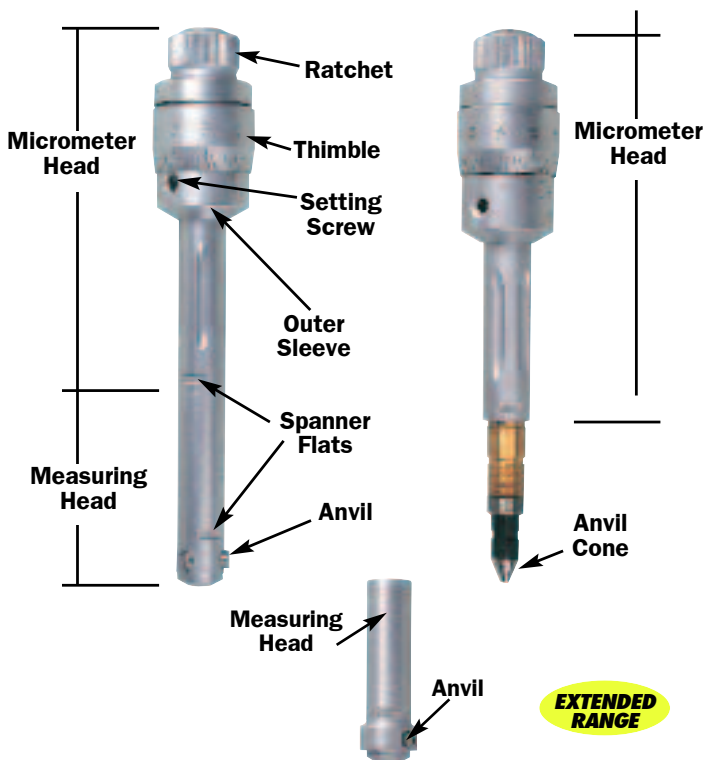
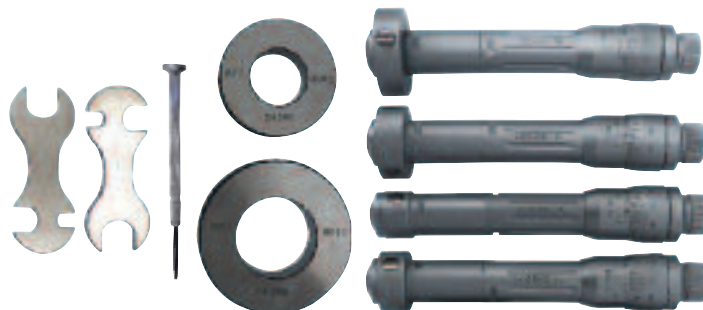
OXD-335-2500K

Micrometers: 11 - 14mm, 14 - 17mm, 17 - 20mm. Calibration ring: 11 and 17mm, slotted screwdriver and spanners x2.



OXD-335-2510K

Micrometers: 20 - 25mm, 25 - 30mm, 30 - 35mm, 35 - 40mm. Calibration ring: 25 and 35mm, slotted screwdriver and spanners x2.



EXTENDED RANGE

Range (mm)	Number of Micrometers	Weight each	Order Code	Price/1 TB
11 - 20mm	3	1.05kg	-2500K	23038.00
20 - 40mm	4	2.60kg	-2510K	43679.00

Individual Micrometers				
Range (mm)	Number of Micrometers	Weight each	Order Code	Price/1 TB
11 - 14mm	1		-5210K	8670.00
14 - 17mm	1		-5220K	8925.00
17 - 20mm	1		-5230K	9129.00
20 - 25mm	1		-5240K	10455.00
25 - 30mm	1		-5250K	10455.00
30 - 35mm	1		-5260K	10710.00
35 - 40mm	1		-5270K	10710.00

PRECISION EQUIPMENT