

SOCKETS & ACCESSORIES - 3/8" SQUARE DRIVE



Double Lug



3/8" Chrome vanadium.
For connecting two female square drives. 25mm long.



Drive Male x Male	Weight each	Order Code	Price/1 TB
3/8" x 3/8"	10g	-5170K	289.00

Female/Male Converters

3/8" Chrome vanadium.
For using a combination of square drive socketry in the same application.



Drive Female x Male	Weight each	Order Code	Price/1 TB
3/8" x 1/4"	20g	-5180K	91.00
3/8" x 1/2"	40g	-5190K	173.00
1/2" x 3/8"	50g	-6700K	160.00

Hex Bit Adaptor

3/8" Chrome vanadium.
For converting square drive tooling to use hexagon bits.



Drive x Hex	Overall Length	Weight each	Order Code	Price/1 TB
3/8"x1/4"	30mm	30g	-5200K	117.00

Spark Plug Sockets

3/8" Designed for insertion and removal of the spark plug. The neoprene insert helps retain and protect the insulation from accidental damage.



Size (Plug)	Overall Length	Weight each	Order Code	Price/1 TB
M10	65mm	110g	-5670K	156.00
M12	65mm	110g	-5680K	160.00
M14	68mm	140g	-5660K	185.00

YAMOTO Spark Plug Sockets



3/8" For insertion and removal of spark plugs. Neoprene insert helps retain the spark plug and protect the insulation material from damage.



Size (Plug)	Overall Length	Weight each	Order Code	Price/1 TB
M10	65mm	110g	-5670K	148.00
M14	68mm	140g	-5660K	148.00

Hex Bit Adaptor

3/8" Chrome vanadium.
For converting square drive tooling to use hexagon bits.



Drive x Hex	Overall Length	Weight each	Order Code	Price/1 TB
3/8"x1/4"	30mm	15g	-5200K	77.00

Screwdriver Bit Sockets

Often used in the automotive and aerospace industries. The weight to strength ratio ensures the reliability and accessibility that is important in this type of environment. Made from chrome vanadium steel, fully chrome plated with an aluminium free mirror finish. All have ball retaining grooves. Conform to **DIN standards**.



Size	Bit Lgth (mm)	Overall Lgth (mm)	Weight each
Hexagon			
3mm	20	50	25g
4mm	20	50	30g
5mm	20	50	30g
6mm	20	50	35g
8mm	20	50	45g
10mm	20	50	55g
1/8"	20	50	25g
5/32"	20	50	30g
3/16"	20	50	30g
7/32"	20	50	35g
1/4"	20	50	40g
5/16"	20	50	45g
3/8"	20	50	55g

Order Code	Price/1 TB
KEN-582	
-6000K	201.00
-6010K	201.00
-6020K	201.00
-6030K	201.00
-6040K	201.00
-6050K	201.00
-6080K	201.00
-6090K	201.00
-6100K	201.00
-6110K	201.00
-6120K	201.00
-6130K	201.00
-6140K	212.00

Order Code	Price/1 TB
YMT-582	
-6000K	131.00
-6010K	148.00
-6020K	160.00
-6030K	166.00
-6040K	178.00
-6050K	183.00
-	-
-	-
-	-
-	-
-	-
-	-

Crosspoint			
No 1	20	50	50g
No 2	20	50	50g
No 3	20	50	55g
No 4	20	50	55g

-6201K	160.00
-6202K	160.00
-6203K	160.00
-6204K	160.00

-6201K	131.00
-6202K	131.00
-6203K	131.00
-	-

PZ			
No 1	20	50	50g
No 2	20	50	50g
No 3	20	50	55g

-6211K	160.00
-6212K	160.00
-6213K	160.00

-	-
-	-
-	-

Slotted			
3/16"	20	50	50g
7/32"	20	50	50g
1/4"	20	50	55g

-6222K	160.00
-6223K	160.00
-6224K	160.00

-6222K	131.00
-	-
-6224K	131.00

TX			
T6	20	50	50g
T7	20	50	50g
T8	20	50	50g
T9	20	50	50g
T10	20	50	50g
T15	20	50	50g
T20	20	50	55g
T25	20	50	50g
T27	20	50	55g
T30	20	50	55g
T40	20	50	55g
T45	20	50	55g
T50	20	50	55g

-6231K	155.00
-6232K	165.00
-6233K	165.00
-6234K	201.00
-6235K	201.00
-6236K	201.00
-6237K	201.00
-6238K	201.00
-6239K	201.00
-6241K	201.00
-6242K	201.00
-6243K	201.00
-6244K	201.00

-	-
-	-
-	-
-6235K	131.00
-6236K	131.00
-6237K	148.00
-6238K	148.00
-	-
-6241K	148.00
-6242K	148.00
-	-
-6244K	148.00



Long Screwdriver Bit Sockets & Socket Bit Sets



Ideal for accessing deep seated bolts that have been fitted knurled bodies for extra grip. Made from S2 chrome vanadium. Supplied on storage rail.

Hexagon



6 Piece Set Contents: 4, 5, 6, 7, 8, 10mm.

6 PIECES

TX



6 Piece Set Contents: T20, T25, T30, T40 T45 and T50

Bit Sets

Description	Weight each	Order Code	Price/1 TB
Hexagon 6 Piece Set	310g	-6324K	1499.00
TX 6 Piece Set	410g	-6340K	1550.00

Individual Bits - Hexagon

Size	Overall Length	Weight each	Order Code	Price/1 TB
4mm	100mm	40g	-6314K	302.00
5mm	100mm	40g	-6315K	302.00
6mm	100mm	45g	-6316K	302.00
7mm	100mm	45g	-6317K	302.00
8mm	100mm	55g	-6318K	302.00
10mm	100mm	65g	-6320K	302.00

Individual Bits - TX

Size	Overall Length	Weight each	Order Code	Price/1 TB
T20	95mm	65g	-6330K	307.00
T25	95mm	65g	-6331K	307.00
T30	95mm	65g	-6332K	307.00
T40	95mm	65g	-6334K	307.00
T45	95mm	65g	-6335K	307.00
T50	95mm	65g	-6336K	307.00

GROUP 582 SOCKETS & ACCESSORIES - 1/2" SQUARE DRIVE

1/2" DRIVE: The most popular drive size used in the service and maintenance industries. This popularity is due to its strength and robust nature.

KENNEDY PROFESSIONAL Lever Reversible Rubber Handle

1/2" Chrome vanadium. Rubber grip, 72 tooth ratchet. With thumb lever for reversing without having to remove the socket or accessory. With quick release. A high quality wrench for the professional user.



Overall Length	Number of Teeth	Weight each	Order Code KEN-582	Price/1 TB
240mm	72	430	-6422K	3031.00

Push Through Rubber Handle

1/2" A very economic wrench with a one way ratchet. Push through square drive allows left and right hand operation.



Overall Length	Number of Teeth	Weight each	Order Code KEN-582	Price/1 TB
270mm	30	500g	-6430K	2824.00

Lever Reversible Steel Handle

1/2" Fully chromed all steel handle with thumb lever for reversing without having to remove the socket or accessory.



Overall Length	Number of Teeth	Weight each	Order Code KEN-582	Price/1 TB
250mm	72	510g	-6412K	2966.00

Lever Reversible Steel Handle Flexi-Joint

1/2" Fully chromed lever type. All steel handle. The hinged joint gives additional capability in areas of restricted access.



Type	Overall Length	Weight each	Order Code KEN-582	Price/1 TB
Standard	420	860g	-6370K	1396.00
Stubby	160	110g	-6375K	1250.00

YAMOTO INDUSTRIAL SOCKET SETS Universal Joint

1/2" Hinged through 180° in both directions. Knurled for extra grip.



Drive M x F	Overall Length	Weight each	Order Code YMT-582	Price/1 TB
1/2" x 1/2"	75mm	155g	-6580K	250.00

KENNEDY Ratchet Repair Kits



To suit Ratchet Number	Order Code KEN-582	Price/1 TB
KEN-582-6400K	-6740K	700.00
KEN-582-6412K/-6422K	-6725K	675.00
KEN-582-6380K/-6390K	-6745K	855.00

Push Through Steel Handle - Gearless

1/2" Chrome - molybdenum with mirror polished finish. Push through square drive, needs only 3% movement to operate gearless ratchet.



Overall Length	Weight each	Order Code KEN-582	Price/1 TB
250mm	470g	-6435K	1855.00

Disc Type Steel Handle

1/2" Basic wrench with high polished finish. Fitted with spring loaded ball bearing socket retainer.



Product Number	Number of Teeth	Weight each	Order Code KEN-582	Price/1 TB
245mm	44	655g	-6400K	1545.00

YAMOTO INDUSTRIAL SOCKET SETS Quick Release Ratchet Handle

1/2" With thumb lever for reversing without having to remove the socket or accessory. Highly polished chrome vanadium with rubber grip.



Overall Length	Number of Teeth	Weight each	Order Code YMT-582	Price/1 TB
250mm	72	510g	-6412K	2244.00

Composite Ratchet Handle

1/2" Quality composite reversible ratchet handle with reverse lever, push button quick release and an offset handle to help eliminate knuckle scrapes. Manufactured from composite material making it very light yet still very hard wearing. 72-tooth gear drive for maximum power and chrome vanadium core for strength.



Overall Length	Number of Teeth	Weight each	Order Code YMT-582	Price/1 TB
250mm	72	435g	-7512K	1751.00

SENATOR QUALITY TOOLING Lever Reversible Rubber Handle

1/2" With thumb lever for reversing without having to remove the socket or accessory. Highly polished chrome vanadium with rubber grip.



Overall Length	Number of Teeth	Weight each	Order Code SEN-582	Price/1 TB
245mm	44	640g	-6400K	699.00

Universal Joint

1/2" Hinged through 180° in both directions. Knurled for extra grip.



Drive M x F	Overall Length	Weight each	Order Code KEN-582	Price/1 TB
1/2" x 1/2"	75mm	155g	-6580K	319.00

HAND TOOLS

SOCKETS & ACCESSORIES - 1/2" SQUARE DRIVE

KENNEDY PROFESSIONAL Speed Braces

1/2 Rubber grip, for fast nut spinning. Manufactured from high quality chrome vanadium, fully polished finish. Ideal for nut spinning.



Handle Type	Overall Length	Weight each	Order Code KEN-582	Price/1 TB
Rubber Grip	400mm	470g	-6560K	657.00
Steel Grip	425mm	510g	-6600K	984.00

Extension Bars

1/2 Manufactured from high quality chrome vanadium with a fully polished finish. All with knurled 'finger grip'.

Standard



Overall Length	Weight each	Order Code KEN-582	Price/1 TB
75mm	140g	-6460K	201.00
125mm	225g	-6480K	231.00
250mm	440g	-6500K	349.00
375mm	630g	-6520K	790.00
450mm	735g	-6530K	793.00

Wobble

In areas where clearance may be a problem the 'wobble' square drive can be used at an angle of up to 15°.



Overall Length	Weight each	Order Code KEN-582	Price/1 TB
75mm	65g	-6630K	254.00
125mm	120g	-6640K	272.00
250mm	260g	-6660K	390.00

Locking

A lever at the ratchet end of the extension pushes down a rod inside the bar which locks out the socket retaining ball, securing the socket to the bar. Ideal for use where there is a risk of leaving a socket in a recess.



Overall Length	Weight each	Order Code KEN-582	Price/1 TB
375mm	65g	-6670K	1486.00

Sliding 'T' Handle

1/2 Manufactured from high quality chrome vanadium with a fully polished finish. The sliding bar will give many options for leverage within a given space.



Overall Length	Weight each	Order Code KEN-582	Price/1 TB
250mm	360g	-6440K	448.00

YAMOTO INDUSTRIAL SOCKET SETS Sliding 'T' Handle

NEW



1/2 Manufactured from high quality chrome vanadium with a fully polished finish. The sliding bar will give many options for leverage within a given space.



Overall Length	Order Code YMT-582	Price/1 TB
250mm	-6370K	399.00

Extension Bars

1/2 Chrome finish.



Overall Length	Weight each	Order Code YMT-582	Price/1 TB
75mm	125g	-6460K	136.00
125mm	195g	-6480K	183.00
250mm	385g	-6500K	297.00

KENNEDY PROFESSIONAL Swivel Handles



1/2 The hinged link allows operation at varied angles to aid access in restricted areas.



Grip	Overall Length	Weight each	Order Code KEN-582	Price/1 TB
Rubber	300mm	645g	-6570K	591.00
American	375mm	540g	-6540K	1030.00
American	450mm	830g	-6550K	1249.00

Grip	Overall Length	Weight each	Order Code KEN-582	Price/1 TB
Heavy Duty				
American	450mm	1099g	-6545K	1486.00
American	600mm	1376g	-6555K	1960.00

Service Parts		Order Code KEN-582	Price/1 TB
Replacement Knuckle		-6548K	420.00

1/2 Flexi-Ring End Sockets

Made from polished chrome vanadium. These tough flexi-ring end sockets are designed to allow access over long studs and for awkwardly positioned nuts and bolts. Swivels through 220°.



Type	Size	Overall Length	Weight each	Order Code KEN-582	Price/1 TB
Metric	13mm	70mm	124g	-1180K	258.00
	14mm	70mm	123g	-1181K	283.00
	15mm	70mm	121g	-1182K	294.00
	16mm	70mm	119g	-1183K	294.00
	17mm	77mm	158g	-1184K	319.00
	19mm	77mm	152g	-1185K	319.00
	22mm	82mm	193g	-1186K	335.00
	24mm	86mm	213g	-1187K	361.00

8 Piece Metric Set Contents:

13, 14, 15, 16, 17, 19, 22, and 24mm. Supplied with a sturdy hanging rail.



Number of Pieces	Contents	Weight each	Order Code KEN-582	Price/1 TB
8	As above	1.3kg	-1190K	2575.00

Offset Fixed Handle

1/2 Knurled grip. Chrome vanadium. Fixed wrench for applications requiring rigid set up.



Overall Length	Weight each	Order Code KEN-582	Price/1 TB
200mm	255g	-6590K	469.00

YAMOTO INDUSTRIAL SOCKET SETS Swivel Handles



1/2 With hinged link and rubber grip.

EXTENDED RANGE



Overall Length	Weight each	Order Code YMT-582	Price/1 TB
300mm	645g	-6570K	652.00
380mm	770g	-6575K	699.00

GROUP 582 SOCKETS & ACCESSORIES - 1/2" SQUARE DRIVE

Bi-Hexagon Standard Length Sockets



Socket Styles

Used in automotive and aerospace. The weight to strength ratio ensures the reliability and accessibility that is so important in this type of production environment.

KENNEDY PROFESSIONAL

YAMOTO INDUSTRIAL SOCKET SETS

Type	Size	Overall Length	Weight each
Metric	8mm	36	50g
	9mm	37	50g
	10mm	37	50g
	11mm	37	50g
	12mm	37	50g
	13mm	37	50g
	14mm	37	50g
	15mm	37	60g
	16mm	37	60g
	17mm	37	60g
	18mm	37	80g
	19mm	37	70g
	20mm	37	80g
	21mm	37	70g
	22mm	37	90g
	23mm	37	110g
	24mm	37	110g
	25mm	40	150g
	26mm	40	140g
	27mm	40	170g
	28mm	40	170g
	29mm	40	170g
	30mm	45	210g
	32mm	45	230g
33mm	45	230g	
36mm	45	245g	
AF	5/16"	37	50g
	3/8"	37	50g
	7/16"	37	50g
	1/2"	37	50g
	9/16"	37	50g
	19/32"	37	60g
	5/8"	37	60g
	11/16"	37	60g
	3/4"	37	70g
	13/16"	37	80g
	7/8"	40	90g
	15/16"	40	110g
	1"	40	130g
	1 1/16"	40	160g
	1 1/8"	40	170g
	1 3/16"	45	200g
1 1/4"	45	230g	
Whit	1/8"	37	50g
	3/16"	37	50g
	1/4"	37	50g
	5/16"	37	60g
	3/8"	37	50g
	7/16"	37	70g
	1/2"	40	90g
	9/16"	40	140g
	5/8"	40	170g
	11/16"	45	220g
3/4"	45	220g	

Order Code	Price/1 TB
KEN-582	
-6900K	132.00
-6910K	132.00
-6920K	132.00
-6930K	132.00
-6940K	132.00
-6950K	132.00
-6960K	132.00
-6970K	138.00
-6980K	138.00
-6990K	144.00
-7000K	157.00
-7010K	157.00
-7020K	207.00
-7030K	207.00
-7040K	221.00
-7050K	231.00
-7060K	240.00
-7070K	290.00
-7080K	296.00
-7090K	298.00
-7100K	322.00
-7110K	325.00
-7120K	334.00
-7130K	373.00
-7140K	473.00
-7150K	591.00
-7160K	117.00
-7170K	136.00
-7180K	136.00
-7190K	136.00
-7200K	141.00
-7210K	141.00
-7220K	147.00
-7230K	153.00
-7240K	160.00
-7250K	207.00
-7260K	236.00
-7270K	236.00
-7280K	272.00
-7290K	278.00
-7300K	331.00
-7310K	337.00
-7320K	361.00
-7380K	187.00
-7390K	187.00
-7400K	187.00
-7410K	187.00
-7420K	187.00
-7430K	187.00
-7440K	187.00
-7450K	254.00
-7460K	254.00
-7470K	302.00
-7480K	420.00

Order Code	Price/1 TB
YMT-582	
-6900K	71.00
-6910K	71.00
-6920K	71.00
-6930K	71.00
-6940K	71.00
-6950K	71.00
-6960K	71.00
-6970K	71.00
-6980K	71.00
-6990K	71.00
-7000K	71.00
-7010K	71.00
-7020K	71.00
-7030K	125.00
-7040K	125.00
-7050K	125.00
-7060K	125.00
-7070K	125.00
-7080K	125.00
-7090K	125.00
-7100K	125.00
-7110K	148.00
-7120K	148.00
-7130K	148.00
-7140K	250.00
-7150K	267.00
-7160K	83.00
-7170K	83.00
-7180K	83.00
-7190K	83.00
-7200K	83.00
-7220K	83.00
-7230K	83.00
-7240K	83.00
-7250K	148.00
-7260K	148.00
-7270K	148.00
-7280K	148.00
-7290K	148.00
-7300K	178.00
-7320K	207.00
-7390K	148.00
-7400K	148.00
-7410K	148.00
-7420K	148.00
-7430K	148.00
-7440K	148.00
-7450K	148.00
-7460K	148.00



Bi-Hexagon Sockets

12 point - side drive design gives a higher torque than normal sockets, grip worn nuts and will not round off existing nuts. All have a ball-retaining groove on each face of the square drive, which ensures a positive fit with accessories. Require only a one-twelfth turn to engage the next point of the socket.



Single Hexagon Sockets

Six point - offer a more positive location, particularly on worn or rounded nuts, but require a one-sixth turn to engage the next point of the socket.



HAND TOOLS

KENNEDY SINGLE BUSINESS TORQUE Single Hexagon Standard Length Sockets

Six point - offer a more positive location, particularly on worn or rounded nuts, but require a one-sixth turn to engage the next point of the socket.



Type	Size	Overall Length	Weight each	Order Code	Price/1 TB
Metric	8mm	36	50g	-7346K	337.00
	9mm	37	50g	-7347K	337.00
	10mm	37	50g	-7348K	337.00
	11mm	37	50g	-7349K	337.00
	12mm	37	50g	-7350K	337.00
	13mm	37	50g	-7351K	337.00
	14mm	37	50g	-7352K	366.00
	15mm	37	60g	-7353K	366.00
	16mm	37	60g	-7354K	366.00
	17mm	37	60g	-7355K	384.00
	18mm	37	80g	-7356K	384.00
	19mm	37	70g	-7357K	384.00
	20mm	37	80g	-7358K	384.00
	21mm	37	70g	-7359K	384.00
	22mm	37	90g	-7360K	384.00
	23mm	37	110g	-7361K	391.00
	24mm	37	110g	-7362K	391.00
	26mm	40	140g	-7364K	391.00
	27mm	40	170g	-7365K	474.00
	28mm	40	170g	-7366K	474.00
	30mm	45	210g	-7368K	474.00
	32mm	45	230g	-7370K	547.00
	36mm	45	245g	-7374K	764.00

Bi-Hexagon Deep Sockets



Type	Size	Overall Length	Weight each	Order Code	Price/1 TB
Metric	10mm	77	100g	-7530K	211.00
	11mm	77	110g	-7540K	211.00
	12mm	77	110g	-7550K	211.00
	13mm	77	110g	-7560K	211.00
	14mm	77	110g	-7570K	211.00
	15mm	77	130g	-7580K	211.00
	16mm	77	120g	-7590K	211.00
	17mm	77	120g	-7600K	217.00
	18mm	77	150g	-7610K	219.00
	19mm	77	150g	-7620K	229.00
	21mm	77	160g	-7630K	302.00
	22mm	77	200g	-7640K	304.00
	24mm	77	220g	-7650K	293.00
	26mm	77	210g	-7660K	389.00
	27mm	77	250g	-7670K	409.00
	30mm	77	320g	-7680K	469.00
32mm	77	340g	-7690K	535.00	
AF	1/2"	77	110g	-7700K	384.00
	9/16"	77	100g	-7710K	384.00
	5/8"	77	120g	-7720K	384.00
	11/16"	77	110g	-7730K	384.00
	3/4"	77	140g	-7740K	384.00
	13/16"	77	160g	-7750K	384.00
	7/8"	77	190g	-7760K	384.00
	15/16"	77	220g	-7770K	384.00
	1"	77	200g	-7780K	384.00
	1 1/8"	77	270g	-7790K	539.00
	1 1/4"	77	390g	-7800K	657.00

SOCKETS & ACCESSORIES - 1/2" SQUARE DRIVE

KENNEDY PROFESSIONAL E-TX S Sockets

1/2 Chrome vanadium. For use with male headed TX fasteners commonly found in the automotive industry.



Size (Plug)	Overall Length	Weight each	Order Code KEN-582	Price/1 TB
E10	37mm	50g	-7485K	187.00
E12	37mm	55g	-7487K	187.00
E14	37mm	55g	-7489K	187.00
E16	37mm	55g	-7491K	187.00
E18	37mm	70g	-7493K	187.00
E20	37mm	90g	-7495K	187.00

Double Ended Lug

1/2 Chrome vanadium. For connecting two female square drives.



Drive Male x Male	Weight each	Order Code KEN-582	Price/1 TB
1/2" x 1/2"	35g	-6750K	381.00

Hex Bit Adaptors

1/2 Chrome vanadium. For converting square drive tooling to use hexagon bits.



Drive x Hex	Overall Length	Weight each	Order Code KEN-582	Price/1 TB
1/2" x 3/4"	35mm	40g	-6710K	188.00
1/2" x 9/16"	75mm	45g	-6720K	196.00

Female/Male Converters

1/2 Chrome vanadium. For using a combination of square drive socketry in the same application.



Drive Female x Male	Weight each	Order Code KEN-582	Price/1 TB
3/8" x 1/2"	40g	-5190K	173.00
1/2" x 3/4"	40g	-6680K	448.00
1/2" x 3/8"	50g	-6700K	160.00
3/4" x 1/2"	55g	-8120K	503.00

Spark Plug Sockets

1/2 Designed for insertion/ removal of spark plugs. The neoprene insert helps retain the spark plug and protect the insulation material from accidental damage. A unique double knurl gives a high grip essential for a quick tool change when hands are greasy.



Size (Plug)	Overall Length	Weight each	Order Code KEN-582	Price/1 TB
M10	65mm	85g	-7520K	219.00
M14	67mm	150g	-7500K	263.00

YAMOTO INDUSTRIAL SOCKET SETS Spark Plug Sockets

1/2 A neoprene insert helps retain the spark plug and protect the insulation material from accidental damage. A ball-retaining groove on each face ensures a positive fit with all accessories. Chamfered leading edge gives easy location.



Size (Plug)	Overall Length	Weight each	Order Code YMT-582	Price/1 TB
M10	65mm	85g	-7520K	165.00
M14	67mm	150g	-7500K	191.00

Screwdriver Bits

For insertion and removal of fasteners and fixings using 1/2" square drive tooling. Made from chrome vanadium steel, fully chrome plated with a mirror finish and aluminium-free to ensure non-sparking. All have ball retaining groove on each face of the square drive.

Conform to DIN standards.



Size	Bit Lgth (mm)	Overall Lgth (mm)	Weight each
Slotted			
8mm	20	55	80g
9mm	20	55	80g
10mm	20	55	90g
12mm	20	55	100g
14mm	20	55	130g
16mm	20	55	140g

Size	Bit Lgth (mm)	Overall Lgth (mm)	Weight each
Hexagon			
4mm	20	55	80g
5mm	20	55	70g
6mm	20	55	70g
7mm	20	55	70g
7mm	20	100	110g
8mm	20	55	70g
10mm	20	55	80g
12mm	20	55	100g
14mm	20	65	160g
17mm	20	70	205g
19mm	20	70	245g
3/16"	20	55	58g
1/4"	20	55	59g
5/16"	20	55	65g
3/8"	20	55	76g
1/2"	20	55	107g
9/16"	20	55	144g
3/4"	20	70	144g

Size	Bit Lgth (mm)	Overall Lgth (mm)	Weight each
Crosspoint			
No.2	20	55	55g
No.3	20	55	65g
No.4	20	55	70g

Size	Bit Lgth (mm)	Overall Lgth (mm)	Weight each
PZ			
No.2	17	55	70g
No.3	17	55	75g
No.4	17	55	80g

Size	Bit Lgth (mm)	Overall Lgth (mm)	Weight each
TX			
T20	20	58	60
T25	17	55	70
T27	17	55	70
T30	17	55	70
T40	17	55	70
T45	17	55	70
T50	17	55	70
T55	17	55	80
T60	17	55	105
T70	17	55	115

Order Code KEN-582	Price/1 TB
-7832K	384.00
-7834K	384.00
-7836K	384.00
-7838K	384.00
-7839K	384.00

Order Code YMT-582	Price/1 TB
-7809K	195.00
-7810K	195.00

Order Code KEN-582	Price/1 TB
-7840K	304.00
-7841K	304.00
-7842K	304.00
-7843K	304.00
-7807K	384.00
-7844K	304.00
-7845K	304.00
-7846K	304.00
-7847K	355.00
-7848K	411.00
-7849K	523.00
-7851K	304.00
-7853K	304.00
-7854K	304.00
-7855K	304.00
-7856K	304.00
-7857K	364.00
-7859K	479.00

Order Code YMT-582	Price/1 TB
-7840K	231.00
-7841K	231.00
-7842K	267.00
-7844K	267.00
-7845K	267.00
-7846K	267.00
-7847K	297.00
-7848K	325.00
-7849K	349.00

Order Code KEN-582	Price/1 TB
-7861K	479.00
-7862K	479.00
-7863K	479.00

Order Code YMT-582	Price/1 TB
-7861K	170.00
-7862K	180.00
-7863K	201.00

Order Code KEN-582	Price/1 TB
-7865K	304.00
-7866K	304.00
-7867K	304.00

Order Code KEN-582	Price/1 TB
-7870K	304.00
-7871K	304.00
-7872K	304.00
-7873K	304.00
-7874K	304.00
-7875K	304.00
-7876K	304.00
-7877K	355.00
-7878K	355.00
-7879K	376.00

Order Code YMT-582	Price/1 TB
-7861K	170.00
-7862K	180.00
-7863K	201.00

KENNEDY PROFESSIONAL Spline Screwdriver Bit Set

7 Piece set containing short bits for bolts in tight areas and long bits for accessing deep seated, tight fitted spline bolts. Handy storage rail supplied.



Description	Weight each	Order Code KEN-582	Price/1 TB
6 Piece Set (M6-M14)	665g	-7340K	2315.00

Individual Bits	Size	Overall Length	Weight each	Order Code KEN-582	Price/1 TB
	M6	55mm	58g	-7322K	503.00
	M8	55mm	65g	-7324K	503.00
	M8	100mm	84g	-7326K	503.00
	M10	100mm	103g	-7328K	503.00
	M12	100mm	136g	-7330K	503.00
	M14	100mm	181g	-7332K	503.00

HAND TOOLS



Screwdriver Bit Socket Sets



1/2 Used most often in the automotive and aerospace industries. The weight to strength ratio ensures the reliability and accessibility that is so important in this type of production environment. For insertion and removal of fasteners and fixings using 1/2" square drive tooling. Unique knurled body gives extra grip which is essential for a quick tool change when your hands are greasy/oily.

Registered Design No. 2053516UK. Manufactured from chrome vanadium steel and are fully chrome plated with an aluminium free mirror finish. All have ball retaining groove on each face of the square drive. Conform to **DIN standards.**

Overall length: 55mm. **Bit length:** 20mm.

Engineers' 20 Piece Set Contents:

Crosspoint
No.2, 3 and 4.

Hexagon
4, 5, 6, 7, 8, 10, 12, 14, 17 and 19mm,
3/16", 1/4", 5/16", 3/8", 1/2", 9/16" and 3/4".

**20
PIECES**

Mechanic's 20 Piece Set Contents:

Slotted:
8, 9, 12, 14, and 16mm.

TX:
T20, T25, T27, T30, T40, T45, T50, T55 and T60.

Crosspoint:
No.2, 3 and 4.

PZ
No.2, 3 and 4.

**20
PIECES**



Number of Pieces	Contents	Weight each	Order Code KEN-582	Price/1 TB
20	As above	1.90kg	-7880K	5574.00



Number of Pieces	Contents	Weight each	Order Code KEN-582	Price/1 TB
20	As above	2.50kg	-7890K	5574.00

HAND TOOLS

Hexagon Bit and Adaptor Set

1/2 1/2" square drive bit adaptor set contains a 10mm hex, 1/2" drive hand socket. Supplied in robust storage case.

Set Contents:

Hexagon
4, 5, 6, 8, 10 and 12mm.

**7
PIECES**



Number of Pieces	Contents	Weight each	Order Code KEN-582	Price/1 TB
7	As above	2.55kg	-7900K	563.00

Stud Puller Set

1/2 Chrome vanadium clamping rollers grip worn or rounded fixings by compressing onto the fixing as the socket is turned, applying pressure to grip, turn and remove. Unscrews left and right hand threads.

Set Contents:

6mm (1/4"), 8mm (5/16"), 10mm (3/8"), 12mm (7/16").

**4
PIECES**



Number of Pieces	Contents	Weight each	Order Code KEN-582	Price/1 TB
4	As above	835g	-9480K	1948.00

Stud Extractor

1/2 Manufactured from chrome alloy steel with a bright nickel and chrome finish. The locking wheel has a black oxidised finish. To use, place the extractor over the stud, then fit any 1/2" square drive handle and turn. The locking wheel moves into place to grip the stud and then remove it. 58mm outside diameter x 65mm high.



Range (mm)	Weight each	Order Code KEN-582	Price/1 TB
6 - 19	585g	-6760K	817.00

KENNEDY Oil Filter Cap Wrench Set

Cap type filter wrenches manufactured from chrome vanadium with a satin finish. Use with 3/8" or 1/2" sq drive wrenches to remove paper cartridge style oil filters.

Contents: 24, 27, 30, 32, 36, 38mm & 1/2" - 3/8" adaptor.

NEW

**7
PIECES**



Diameter (mm)	Weight each	Order Code KEN-503	Price/1 TB
60 - 140	430g	-1790K	2575.00

3/4" DRIVE: A heavy duty range designed to cope with the demands of industrial, agricultural machinery and heavy plant, static or mobile.

Lever Reversible Steel Handle



3/4" Spring loaded ball bearing socket retainer. A high quality wrench for the professional user.

Overall Length	Number of Teeth	Weight each	Order Code KEN-582	Price/1 TB
500mm	24	2.40kg	-8000K	5448.00

Disc Type Steel Handle

3/4" 50 tooth reversible ratchet.

Overall Length	Number of Teeth	Weight each	Order Code KEN-582	Price/1 TB
500mm	50	3.00kg	-8045K	6740.00

Non-Reversible Rubber Grip Quick Release

3/4" 36 tooth ratchet.

Overall Length	Number of Teeth	Weight each	Order Code KEN-582	Price/1 TB
480mm	36	1.50kg	-8050K	5869.00

Extension Bars

3/4" Manufactured from high quality chrome vanadium with a fully polished finish. All with knurled 'finger grip'.

Description	Overall Length	Weight each	Order Code KEN-582	Price/1 TB
Standard	100mm	432g	-8070K	597.00
	200mm	800g	-8060K	776.00
	400mm	1900g	-8080K	1427.00

Double Ended Lug

3/4" Chrome vanadium. For use in push through ratchets and similar.

Overall Length	Order Code KEN-582	Price/1 TB
60mm	-8130K	979.00

Ratchet Repair Kit

To suit ratchet number KEN-582- 8000K.

Weight each	Order Code KEN-582	Price/1 TB
550g	-8010K	1486.00

KENNEDY PROFESSIONAL Swivel Handle

3/4" The hinged link allows operation at varied angles to aid access in restricted areas.

Grip	Overall Length	Weight each	Order Code KEN-582	Price/1 TB
Knurled	475mm	1.90kg	-8100K	1526.00

Sliding 'T' Handle

3/4" Manufactured from high quality chrome vanadium with a fully polished finish. Sliding bar gives many options for leverage within a given space.

Overall Length	Weight each	Order Code KEN-582	Price/1 TB
450mm	1.35kg	-8040K	1037.00

Offset Fixed Handle

3/4" Knurled grip. Chrome vanadium. Fixed wrench for applications requiring rigid set up.

Overall Length	Weight each	Order Code KEN-582	Price/1 TB
300mm	255g	-8090K	787.00

Universal Joint

3/4" Knurled for extra grip.

Overall Length	Order Code KEN-582	Price/1 TB
110mm	-8020K	1605.00

Drive Converters

3/4" For using a combination of square sockets in one application.

Drive F x M	Order Code KEN-582	Price/1 TB
3/4" x 1"	-8140K	679.00
1" x 3/4"	-9140K	1012.00

Bi-Hexagon Sockets

3/4" A heavy duty range designed to cope with the demands of industrial agricultural machinery and heavy plant, static or mobile. All Kennedy Professional sockets have a unique double knurl to give a high grip essential for a quick tool change when hands are greasy. Manufactured from chrome vanadium and fully chrome plated with an aluminium free mirror finish. Chamfered leading edge ensures easy fastener location. **Registered Design No. 2053516UK.**



Size	Overall Length	Weight each	Order Code KEN-582	Price/1 TB
Metric				
22	50mm	210g	-8150K	245.00
24	50mm	210g	-8170K	302.00
26	50mm	210g	-8190K	361.00
27	50mm	210g	-8200K	361.00
29	50mm	240g	-8220K	420.00
30	53mm	280g	-8230K	420.00
32	55mm	280g	-8240K	420.00
33	55mm	310g	-8250K	420.00
36	55mm	400g	-8260K	479.00
38	60mm	450g	-8280K	539.00
41	60mm	540g	-8300K	597.00
46	60mm	650g	-8320K	716.00
50	70mm	800g	-8340K	776.00
55	70mm	880g	-8360K	793.00
60	70mm	950g	-8380K	1058.00

Size	Overall Length	Weight each	Order Code KEN-582	Price/1 TB
AF				
7/8"	50mm	140g	-8400K	258.00
15/16"	50mm	160g	-8410K	258.00
1"	50mm	180g	-8420K	258.00
1 1/16"	50mm	200g	-8430K	258.00
1 1/8"	50mm	240g	-8440K	258.00
1 3/16"	54mm	250g	-8450K	302.00
1 1/4"	54mm	260g	-8460K	302.00
1 5/16"	54mm	260g	-8470K	420.00
1 3/8"	57mm	280g	-8480K	539.00
1 7/16"	57mm	280g	-8490K	597.00
1 1/2"	60mm	290g	-8500K	657.00
1 5/8"	62mm	320g	-8520K	657.00
1 11/16"	65mm	320g	-8530K	716.00
1 3/4"	65mm	330g	-8540K	746.00
1 13/16"	65mm	350g	-8550K	776.00
1 7/8"	69mm	360g	-8560K	834.00
2"	71mm	380g	-8580K	894.00



1" Drive The ultimate for high torque hand applications. Designed to give strength and reliability under heavy loads. Used extensively in heavy plant, rail, shipyard and oil rig industries.



Lever Type Steel Handle with Extension



Sliding 'T'-Handle with Extension

Lever Type Steel Handle

1 Basic wrench with satin finish. Fitted with spring loaded ball bearing socket retainer.

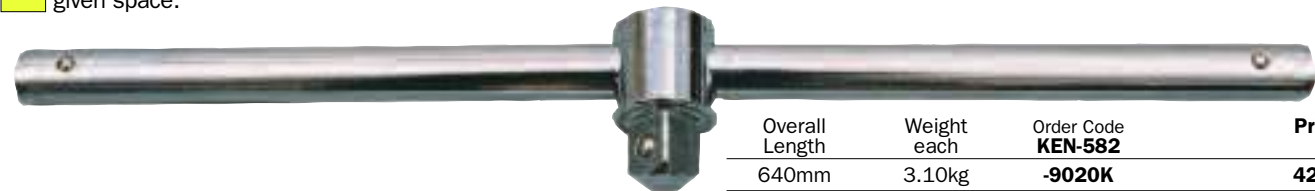


Overall Length	Number of Teeth	Weight each	Order Code KEN-582	Price/1 TB
740mm	40	5.40kg	-8980K	9845.00

Spares	Description	Order Code KEN-582	Price/1 TB
	Ratchet Repair Kit	-8990K	2315.00

Sliding 'T' Handle

1 Manufactured from high quality chrome vanadium with a fully polished finish. The sliding bar will give many options for leverage within a given space.



Overall Length	Weight each	Order Code KEN-582	Price/1 TB
640mm	3.10kg	-9020K	4207.00

Extensions

1 Manufactured from high quality chrome vanadium with a fully polished finish. Knurled 'finger grip'.



Description	Overall Length	Weight each	Order Code KEN-582	Price/1 TB
Standard	200mm	1.00kg	-9040K	2024.00
	400mm	1.80kg	-9060K	3300.00

Bi-Hexagon Standard Sockets

1 Bi-hexagon. (12 point). This range of 1" (25mm) series sockets is the ultimate for high torque hand applications. The Bi-hexagon design gives strength and reliability under heavy loads. Used extensively in heavy plant, rail, shipyard and oil rig industries. The 12 point bi-hexagon side drive design gives a higher torque than normal sockets. Made from chrome vanadium and fully chrome plated with an aluminium free mirror finish. Chamfered leading edge ensures easy fastener location.



Type	Size	Overall Length	Weight each	Order Code KEN-582	Price/1 TB
Metric	36mm	65	280g	-9200K	887.00
	41mm	65	330g	-9210K	894.00
	46mm	70	360g	-9220K	1782.00
	50mm	75	360g	-9230K	1842.00
	55mm	80	400g	-9240K	1960.00
	60mm	85	420g	-9250K	2019.00
	65mm	90	450g	-9260K	2256.00
	70mm	100	480g	-9270K	2368.00
AF	75mm	100	520g	-9280K	2966.00
	80mm	110	550g	-9290K	3295.00
	1 1/2"	70	300g	-9360K	4442.00
	2"	70	360g	-9400K	4223.00
	2 1/4"	85	400g	-9420K	4566.00
	2 3/8"	85	400g	-9430K	5408.00

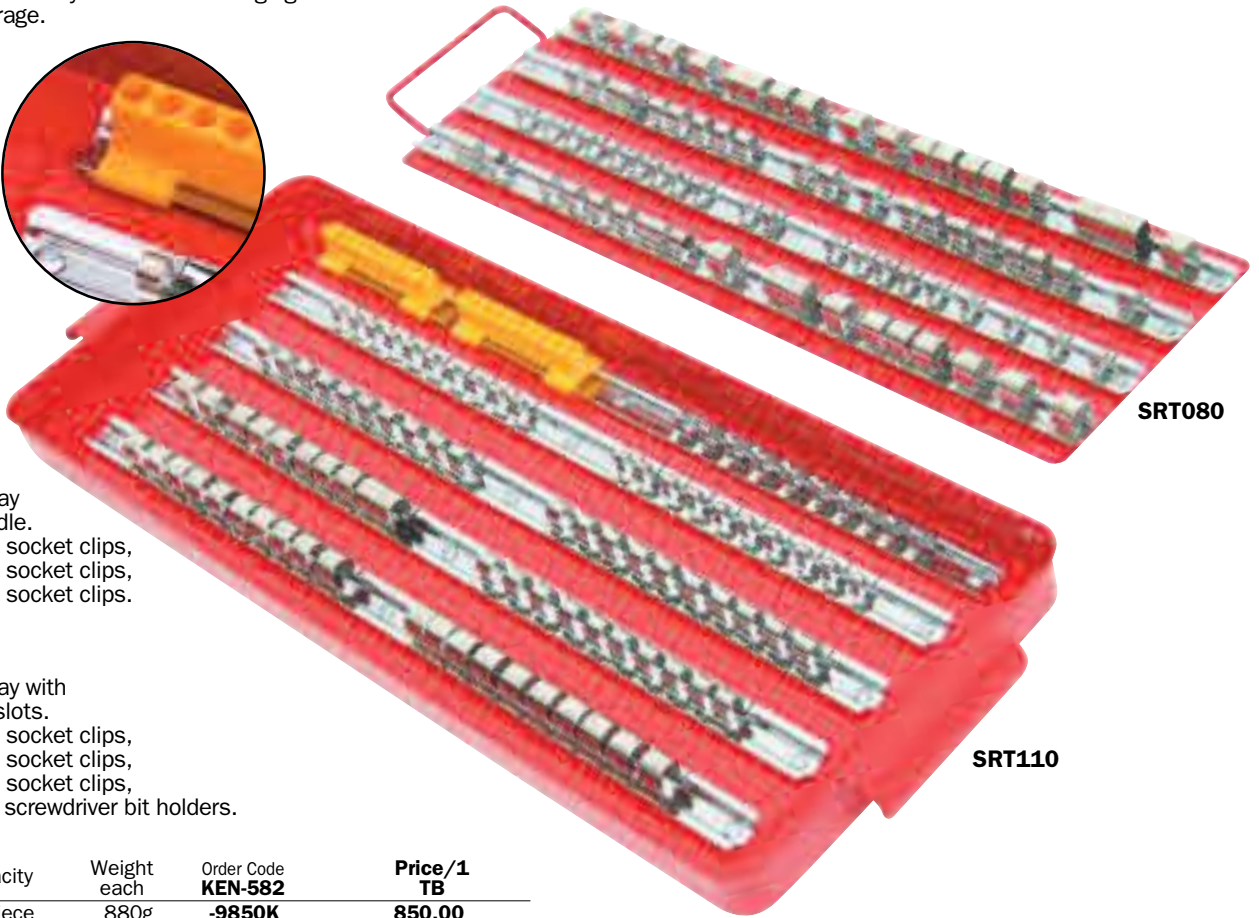


KENNEDY PROFESSIONAL **Socket Rail Trays**

Steel trays that comprise of 430mm rails with clips for retaining 1/4", 3/8" and 1/2" sq. drive sockets. Trays are fitted with carry handles and hanging holes for workshop storage.



1/4" Hexagon screwdriver bit holders



SRT080 Contents:

Powder coated tray with carrying handle.
30x 1/2" sq. drive socket clips,
30x 3/8" sq. drive socket clips,
20x 1/4" sq. drive socket clips.

SRT110 Contents:

Powder coated tray with integral hanging slots.
30x 1/2" sq. drive socket clips,
30x 3/8" sq. drive socket clips,
30x 1/4" sq. drive socket clips,
20x 1/4" hexagon screwdriver bit holders.

Product Number	Capacity	Weight each	Order Code KEN-582	Price/1 TB
SRT080	80 Piece	880g	-9850K	850.00
SRT110	110 Piece	1.80kg	-9860K	1350.00

KENNEDY **Socket Rails & Clips**

Made from steel, bright chrome plated and can be fixed or loose in a toolbox, or fitted to a bench or wall. Can be used with any size square drive socket.



Socket Rails

Overall Length	Weight per 10	Order Code KEN-582	Price/1 TB
220mm	290g	-9820K	61.00
420mm	430g	-9840K	94.00



Socket Clips

Sq. Drive Size	Weight per 100	Order Code KEN-582	Price/1 TB
1/4"	60g	-9880K	12.00
3/8"	90g	-9890K	13.00
1/2"	150g	-9900K	15.00

Socket Racks

Socket rails and socket clips combined together.

Sq. Drive Size	Overall Length	No of Clips	Weight each	Order Code KEN-582	Price/1 TB
1/4"	420mm	15	70g	-9920K	200.00
	220mm	8	30g	-9930K	150.00
3/8"	420mm	15	70g	-9950K	200.00
	220mm	8	30g	-9960K	150.00
1/2"	420mm	15	70g	-9980K	239.00
	220mm	8	30g	-9990K	170.00



PRODUCTS ARE ONLY AVAILABLE VIA YOUR DISTRIBUTOR

GROUP 582 SOCKET SETS - MIXED DRIVE

SENATOR
QUALITY TOOLING

1/4" Drive Ideal for assembly and servicing of small precision mechanisms associated with electrical, electronic, ignition and refrigeration work.

3/8" Drive Used in the automotive and aerospace industries. The weight to strength ratio ensures the reliability and accessibility that is so important on this type of production. Sockets have a knurl feature to give a high grip which is essential for a quick tool change when your hands are greasy/oily. The 12 point bi-hexagon side drive design will give a higher torque than normal sockets, grip worn nuts and will not round off existing nuts. Manufactured from chrome vanadium and are fully chrome plated with an aluminium free mirror finish. Chamfered leading edge ensures easy fastener location. Sockets manufactured to: **ANSI B107.5M : 1987, ANSI B107.1 : 1978 & BS 4006 : 1992.** Accessories manufactured to: **ANSI B107.10M : 1982 & BS 4006 : 1992.**



SDA100MAB - 100 Piece Metric, Inch & BA

1/4" Drive Bi-Hex Sockets:

4, 4.5, 5, 5.5, 6, 7, 8, 9, 10, 11, 12, 13mm.
3/16", 7/32", 1/4", 9/32", 5/16", 11/32", 3/8", 7/16", 1/2" AF.
0, 2, 4, 6, 8 and 10BA.

Screwdriver Bits:

Slotted 3.5, 4.5, 5.5, 6mm.
Crosspoint No.1, No.2, No.3.
PZ No.1, No.2, No.3.
TX T15, T20, T25.

Hex 3, 4, 5, 6, 8, 10mm,
1/8", 5/32", 3/16", 7/32", 1/4", 5/16", 3/8" AF.

Accessories: 50, 75 and 150mm extension bars, ratchet handle, sliding T-handle, spinner handle, universal joint.

3/8" Drive Bi-Hex Sockets:

6, 7, 8, 9, 10, 11, 12, 13, 14, 15, 16, 17, 19 and 21mm.
1/4", 5/16", 3/8", 7/16", 1/2", 9/16", 5/8", 11/16" and 3/4" AF.

Deep Sockets: 10, 11, 12, 13 and 14mm
9/16", 5/8", 11/16" and 3/4" AF.

Spark Plug Sockets: M10 (16mm) and M14 (21mm).

Accessories: 75 and 150mm extension bars, flexible handle, ratchet handle, universal joint, sliding T-handle



Number of Pieces	Weight each	Order Code	Price/1 TB
100	5.00kg	-0080K	5823.00

SA40MA 40 Piece - Metric & Inch

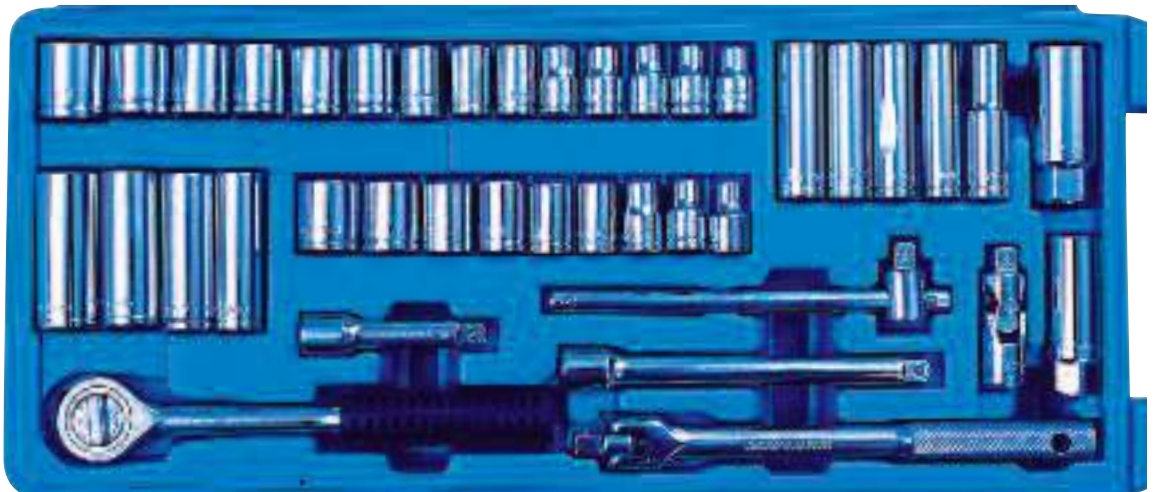
3/8" Drive Bi-Hex Sockets:

6, 7, 8, 9, 10, 11, 12, 13, 14, 15, 16, 17, 19 and 21mm. 1/4", 5/16", 3/8", 1/2", 9/16", 5/8", 7/16", 11/16" and 3/4" AF.

Deep Sockets: 10, 11, 12, 13 & 14mm.
9/16", 5/8", 11/16" and 3/4" AF.

Spark Plug Sockets: M10 (16mm) and M14 (21mm).

Accessories: Ratchet handle, sliding T-handle, swivel handle, universal joint. 75mm and 150mm extension bars.



Number of Pieces	Weight each	Order Code	Price/1 TB
40	3.90kg	-0100K	3977.00

HOME IMPROVER

PRODUCTS ARE ONLY AVAILABLE VIA YOUR DISTRIBUTOR

HAND TOOLS

KENNEDY PROFESSIONAL Side Drive Socket Sets

The Ken-Grip® socket offers a new standard of performance with the ability to grip fasteners which are up to 95% rounded off. A unique patented socket design grips new, worn and rusted fasteners without damaging them further. Double knurl feature gives a high grip which is essential for quick tool change when hands are greasy or oily. Manufactured from chrome vanadium steel, the sockets and accessories are aluminium free, fully chrome plated for a corrosion resistant, easy clean finish. The set features an extensive selection of socket sizes for use across a wide range of fasteners.

NEW

KENGRIP® Patented Design



Will grip new, worn and rusted fasteners without damaging them further



Will grip fasteners which are up to 95% rounded off

Will also fit a wide range of non-metric Hexagons, E-Torx® and Spline Drive Sizes.

1/4" Square Drive 19 Piece Metric Set

Metric Ken-Grip® Sockets: 4, 4.5, 5, 5.5, 6, 7, 8, 9, 10, 11, 12, 13, 14mm.

Accessories: ratchet handle, spinner handle, sliding T-handle, flexi-drive 145mm, universal joint, extension bar 100mm.

Number of Pieces	Weight each	Order Code KEN-582	Price/1 TB
19	880g	-8800K	6500.00

NEW

19 PIECES



3/8" Square Drive 50 Piece Metric Set

Ken-Grip® Standard & Deep Sockets
Standard: 6, 7, 8, 9, 10, 11, 12, 13, 14, 15, 16, 17, 18, 19, 20, 21 and 22mm.
Deep: 10, 11, 12, 13, 14, 15, 17, 19 and 22mm.

Screwdriver Bits: Slotted 5, 5.5 and 6.5mm.
Crosspoint No.1, 2, 3, 4.
Sockets: 3, 4, 5, 6, 8 and 10mm.

Accessories: ratchet handle, sliding T-handle, spinner handle, swivel handle, universal joint, 125 and 250mm extensions, 250mm wobble extensions, 1/4" and 1/2" male adaptors, 1/4" socket bit coupler. Robust fitted case with security padlock hole and cushion grip handle.

NEW

50 PIECES

Number of Pieces	Weight each	Order Code KEN-582	Price/1 TB
50	3.00kg	-8810K	10950.00



1/2" Square Drive 30 Piece Metric Set

Ken-Grip®: 8, 9, 10, 11, 12, 13, 14, 15, 16, 17, 18, 19, 20, 21, 22, 23, 24, 25, 26, 27, 30 and 32mm.

Spark Plug Sockets: M10 and M14.

Accessories: quick release ratchet handle, sliding T-handle, universal joint, 75, 125 and 250mm extension bars. Robust fitted case with security padlock hole and cushion grip handle.

NEW

30 PIECES

Number of Pieces	Weight each	Order Code KEN-582	Price/1 TB
30	5.50kg	-8820K	9500.00



HAND TOOLS

GROUP 582 SOCKET SETS - 1/4" SQUARE DRIVE



1/4" Drive Ideal for assembly and servicing of small precision mechanisms associated with electrical, electronic, ignition and refrigeration work. Sockets have a knurl feature to give a high grip which is essential for a quick tool change when your hands are greasy/oily. The six point bi-hexagon side drive design will give a higher torque than normal sockets, grip worn nuts and will not round off existing nuts. Manufactured from chrome vanadium and are fully chrome plated with an aluminium free mirror finish. Chamfered leading edge ensures easy fastener location. Sockets made to: **ANSI B107.5M : 1987, ANSI B107.1 : 1978 & BS 4006 : 1992.** Accessories made to: **ANSI B107.10M : 1982 & BS 4006 : 1992.**



TS19M - 19 Piece Metric Socket Set

Metric Hex Sockets: 4, 4.5, 5, 5.5, 6, 7, 8, 9, 10, 11, 12, 13, 14mm.

Accessories: ratchet handle, spinner handle, sliding T-handle, flexi-drive 145mm, universal joint, extension bar 100mm.



Number of Pieces	Weight each	Order Code KEN-582	Price/1 TB
19	880g	-4893K	5384.00

TS29MA - 29 Piece Metric & Inch Socket Set

Metric Sockets: 4, 4.5, 5, 5.5, 6, 7, 8, 9, 10, 11, 12, 13, 14mm. **AF Sockets:** 3/16", 7/32", 1/4", 9/32", 5/16", 11/32", 3/8", 7/16", 1/2", 9/16".

Accessories: ratchet handle, spinner handle, sliding T-handle, flexi-drive 145mm, universal joint, extension bar 100mm.



Number of Pieces	Weight each	Order Code KEN-582	Price/1 TB
29	1.2kg	-4895K	5514.00

51 Piece Metric/AF

TSD51MA

Standard & Deep Sockets

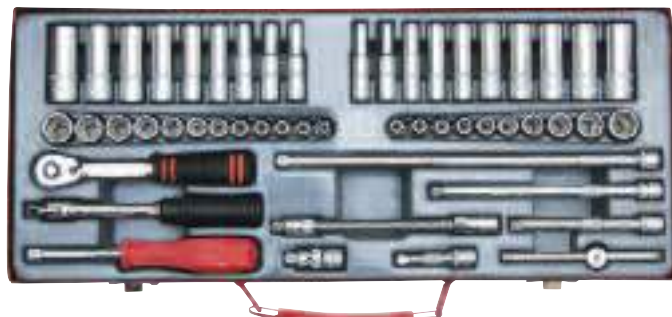
Standard Sockets (Metric): 4, 5, 5.5, 6, 7, 8, 9, 10, 11, 12, 13, 14mm.

Deep Sockets (Metric): 6, 7, 8, 9, 10, 11, 12, 13, 14mm.

Standard Sockets (AF): 3/16", 7/32", 1/4", 9/32", 5/16", 11/32", 3/8", 7/16", 1/2", 9/16".

Deep Sockets (AF): 3/16", 7/32", 1/4", 9/32", 5/16", 11/32", 3/8", 7/16", 1/2", 9/16".

Accessories: ratchet handle (rubber grip), 100mm sliding T-handle, 100 and 250mm extension bars, 50 and 150mm wobble extensions, universal joint, spinner handle, 150mm flexible extension, swivel handle rubber grip.



Number of Pieces	Weight each	Order Code KEN-582	Price/1 TB
51	3.2kg	-4902K	6165.00

SENATOR QUALITY TOOLING RSD43 - 43 Piece Metric & Inch

High quality chrome vanadium for garage, workshop and home maintenance.

Sockets: 6, 7, 8, 9, 10, 11, 12mm. 3/16", 1/4", 5/16", 11/32", 3/8", 7/16" and 1/2" AF.

Long Series (50mm) Bits: Slotted 4, 5, 6mm. **Crosspoint** No.1, No.2, No.3. **TX** T10, T15, T20, T25, T27, T30, T40, T45.

Short Series (25mm) Bits: **PZ** No.1, No.2. **Hex** 1.5, 2, 2.5, 3, 4, 5, 5.5 and 6mm.

Accessories: ratchet spinner handle, 150mm flexible extension bar, 100mm hex bit extension bar, 1/4" coupler, 50mm socket coupler.

HOME IMPROVER



Number of Pieces	Weight each	Order Code SEN-582	Price/1 TB
43	1.10kg	-0040K	1338.00

SD60MAB - 60 Piece Metric, Inch & BA

Sockets: 4, 4.5, 5, 5.5, 6, 7, 8, 9, 10, 11, 12 and 13mm. 3/16", 7/32", 1/4", 9/32", 5/16", 11/32", 3/8", 7/16" and 1/2" AF. 0, 2, 4, 6, 8 and 10BA.

Screwdriver Bits: Slotted 3.5, 4.5, 5.5, 6mm.

Crosspoint No.1, No.2 No.3. **PZ** No.1, No.2, No.3.

TX T15, T20 and T25. **Hex** 3, 4, 5, 6, 8 and 10mm. 1/8", 5/32", 3/16", 7/32", 1/4", 5/16", 3/8" AF.

Accessories: ratchet handle, sliding T-handle, spinner handle, universal joint. 50, 75 and 150mm extension bars,



Number of Pieces	Weight each	Order Code SEN-582	Price/1 TB
60	1.50kg	-0060K	2315.00

HAND TOOLS



1/4" Drive Ideal for assembly and servicing of small precision mechanisms associated with electrical, electronic, ignition and refrigeration work. Sockets have a knurl feature to give a high grip which is essential for a quick tool change when your hands are greasy/oily. The 12 point bi-hexagon side drive design will give a higher torque than normal sockets, grip worn nuts and will not round off existing nuts. Manufactured from chrome vanadium and are fully chrome plated with an aluminium free mirror finish. Chamfered leading edge ensures easy fastener location. Sockets manufactured to: **ANSI B107.5M: 1987, ANSI B107.1: 1978 & BS 4006 : 1992.** Accessories manufactured to: **ANSI B107.10M : 1982 & BS 4006 : 1992.**

TSD46M - 46 Piece Metric Set

1/4" Standard & Deep Sockets with Screwdriver Bits

Sockets: 4, 4.5, 5, 5.5, 6, 7, 8, 9, 10, 11, 12, 13, 14mm.
Deep Sockets: 4, 4.5, 5, 5.5, 6, 7, 8, 9, 10, 11, 12, 13, 14mm.
Screwdriver Bits: Slotted 4, 5.5, 7mm.
Crosspoint No.1, No.2, No.3. **Hex** 3, 4, 5, 6, 8mm.
Accessories: sliding T-handle, ratchet handle, extension bar 50 and 150mm, wobble extension 100 and 250mm, universal joint, jointed swivel handle 150mm, spinner handle.

TS46MA - 46 Piece Metric & Inch

1/4" Standard Sockets with Screwdriver Bits

Sockets: 4, 4.5, 5, 5.5, 6, 7, 8, 9, 10, 11, 12, 13, 14mm.
AF Sockets: 3/16", 7/32", 1/4", 5/16", 11/32", 3/8", 7/16", 1/2".
Screwdriver Bits: Slotted 4, 5.5mm. **Crosspoint** No.2, No.3. **Hex** 3, 4, 5, 6, 8mm. **Hex** 1/8", 5/32", 3/16", 7/32", 1/4", 5/16" AF.
Accessories: sliding T-handle, ratchet handle, wobble extension 50 and 150mm, extension bars 100 and 250mm, universal joint, jointed swivel handle 150mm, flexible extension 150mm, spinner handle.



Number of Pieces	Weight each	Order Code KEN-582	Price/1 TB
46	3.20kg	-4897K	6061.00



Number of Pieces	Weight each	Order Code KEN-582	Price/1 TB
46	3.00kg	-4898K	5895.00

TSD82MA - 82 Piece Metric & Inch

1/4" Standard & Deep Sockets with Screwdriver Bits

Sockets: 4, 4.5, 5, 5.5, 6, 7, 8, 9, 10, 11, 12, 13, 14mm. 3/16", 7/32", 1/4", 5/16", 11/32", 3/8", 7/16", 1/2" AF. 0, 1, 2, 3, 4, 5, 6BA.
Deep Sockets: 4, 4.5, 5, 5.5, 6, 7, 8, 9, 10, 11, 12, 13, 14mm.
Screwdriver Bits: Slotted 4, 5.5, 7mm. **Crosspoint** No.1, No.2, No.3, No.4. **Hex** 3, 4, 5, 6, 8mm. 1/8", 5/32", 3/16", 7/32", 1/4", 5/16" AF. **TZ** T6, T7, T8, T9, T10, T15, T20, T25, T27, T30, T40.
Accessories: sliding T-handle, ratchet handle, 100, 150 and 250mm extension bars, 50 and 150mm wobble extension, 150mm flexible extension, square male adaptor 3/8", 150mm jointed swivel handle, spinner handle, universal joint.

MT50M - 50 Piece Metric

1/4" Standard Sockets:

4, 4.5, 5, 5.5, 6, 7, 8, 9, 10, 11, 12, 13mm.
Accessories: ratchet handle, sliding T-handle, 50, 150 and 250mm extension bars, 100mm wobble extension, 150mm flexible extension, universal joint, 150mm jointed swivel handle, spinner handle.
1/2" Sockets: 8, 9, 10, 11, 12, 13, 14, 15, 16, 17, 18, 19, 20, 21, 22, 23, 24, 27, 30, 32, 36mm.
Accessories: quick release ratchet handle, universal joint, sliding T-handle, 375mm swivel handle, 75 and 250mm extension bars, 150mm wobble extensions.



Number of Pieces	Weight each	Order Code KEN-582	Price/1 TB
82	3.80kg	-4896K	8147.00



Number of Pieces	Weight each	Order Code KEN-582	Price/1 TB
50	8.10kg	-4899K	12493.00

GROUP 582 SOCKETS SETS - 3/8" SQUARE DRIVE



3/8" Drive Used in the automotive and aerospace industries. The weight to strength ratio ensures the reliability and accessibility that is so important on this type of production. All Kennedy professional sockets have a double knurl feature to give a high grip which is essential for a quick tool change when your hands are greasy/oily. The 12 point bi-hexagon side drive design will give a higher torque than normal sockets, grip worn nuts and will not round off existing nuts. Manufactured from chrome vanadium and are fully chrome plated with an aluminium free mirror finish. Chamfered leading edge ensures easy fastener location. Sockets manufactured to: **ANSI B107.5M: 1987, ANSI B107.1: 1978 & BS 4006 : 1992.** Accessories manufactured to: **ANSI B107.10M : 1982 & BS 4006 : 1992.**



S30M - 30 Piece Metric with Screwdriver Bits

Sockets: 6, 7, 8, 9, 10, 11, 12, 13, 14, 15, 16, 17, 18, 19, 21 and 22mm.

Spark Plug Sockets: M10 and M14.

Screwdriver Bits: Slotted 5mm, 6mm. **Crosspoint** No.1, 2, 3, 4.

Accessories: ratchet handle, sliding T-handle, swivel handle, universal joint, 75mm extension bar, 150mm wobble extension, parts tray with magnetic insert. Robust fitted case with security padlock hole and cushion grip handle.

S40MA - 40 Piece Metric & Inch

Metric & Inch Sockets: 6, 7, 8, 9, 10, 11, 12, 13, 14, 15, 16, 17, 18, 19, 20, 21, 22mm. 1/4", 5/16", 11/32", 3/8", 7/16", 1/2", 9/16", 5/8", 11/16", 3/4", 13/16" and 7/8" AF.

Spark Plug Sockets: M10 and M14.

Accessories: ratchet handle, sliding T-handle, universal joint, 75 and 150mm extension bars, 150mm wobble extension, 1/4" and 1/2" male adaptors, 1/4" hexagon coupler. Robust fitted case with security padlock hole and cushion grip handle.

HAND TOOLS



Number of Pieces	Weight each	Order Code KEN-582	Price/1 TB
30	3.50kg	-6170K	6438.00

Number of Pieces	Weight each	Order Code KEN-582	Price/1 TB
40	3.60kg	-6175K	6772.00

Accessories

Description	Order Code KEN-567	Price/1 TB
Locking Clasps (Pair)	-6000K	98.00

Accessories

Description	Order Code KEN-567	Price/1 TB
Locking Clasps (Pair)	-6000K	98.00

SD25MA - 25 Piece Metric & Inch

Bi-Hex Sockets Deep Sockets: 8, 9, 10, 11, 12, 13, 14, 15, 16, 17, 18, 19, 21, 22mm. 3/8", 7/16", 1/2", 9/16", 5/8", 11/16", 3/4" and 13/16" AF.

Accessories: swivel handle, sliding T-bar, 125mm extension. Parts tray with magnetic insert. Robust fitted case with security padlock hole and cushion grip handle.

SSD50M - 50 Piece Metric with Screwdriver Bits

Standard & Deep Sockets
Standard: 6, 7, 8, 9, 10, 11, 12, 13, 14, 15, 16, 17, 18, 19, 20, 21 and 22mm.

Deep: 10, 11, 12, 13, 14, 15, 17, 19 and 22mm.

Screwdriver Bits: Slotted 5, 5.5 and 6.5mm.

Crosspoint No.1, 2, 3, 4. **Hex** 3, 4, 5, 6, 8 and 10mm.

Accessories: ratchet handle, sliding T-handle, spinner handle, swivel handle, universal joint, 125 and 250mm extensions, 250mm wobble extensions, 1/4" and 1/2" male adaptors, 1/4" hex bit coupler. Robust fitted case with security padlock hole and cushion grip handle.



Number of Pieces	Weight each	Order Code KEN-582	Price/1 TB
25	5.50kg	-6190K	5155.00

Number of Pieces	Weight each	Order Code KEN-582	Price/1 TB
50	4.75kg	-6180K	9131.00

Accessories

Description	Order Code KEN-567	Price/1 TB
Locking Clasps (Pair)	-6000K	98.00

Accessories

Description	Order Code KEN-567	Price/1 TB
Locking Clasps (Pair)	-6000K	98.00



SS90MAW - 90 Piece Metric, Inch & Whitworth with Screwdriver Bits

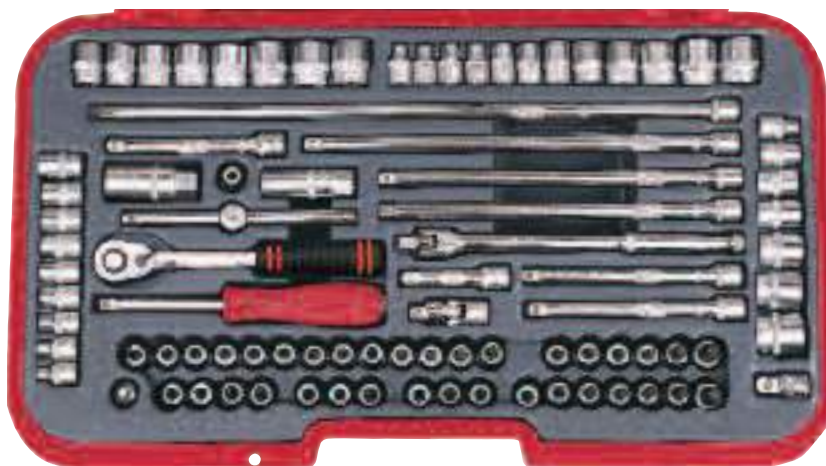
Sockets: 6, 7, 8, 9, 10, 11, 12, 13, 14, 15, 16, 17, 18, 19, 20, 21, 22mm.
 1/4", 5/16", 11/32", 3/8", 7/16", 1/2", 9/16", 5/8", 11/16", 3/4", 13/16" and 7/8" AF. 1/8", 3/16", 1/4", 5/16", 3/8", 7/16" and 1/2" Whit.

Screwdriver Bits:

Slotted 3/16", 7/32" and 1/4". **Crosspoint** No.1, 2, 3, 4. **PZ** No.1, No.2, No.3. **TX** T6, T7, T8, T9, T10, T15, T20, T25, T27, T30, T40, T45, T50. **Hex** 3, 4, 5, 6, 8, 10mm. 1/8", 5/32", 3/16", 7/32", 1/4", 5/16" and 3/8" AF.

Spark Plug Sockets: M10 and M14.

Accessories: ratchet handle, sliding T-handle, spinner handle, swivel handle, universal joint. 75, 125, 150, 250, 300 and 450mm extensions, 150 and 250mm wobble extensions, 1/4" and 1/2" male adaptors, 1/4" hexagon coupler. Robust fitted case with security padlock hole and cushion grip handle.



Number of Pieces	Weight each	Order Code KEN-582	Price/1 TB	Accessories	Order Code KEN-567	Price/1 TB
90	8.70kg	-6185K	16223.00	Locking Clasps (pr)	-6000K	98.00



3/8" Square Drive Manufactured from industrial quality chrome vanadium steel with high polished corrosion resistant finish. The high strength to weight ratio ensures the reliability and accessibility that is necessary for use in the automotive, assembly, service and maintenance industries.

The bi-hexagonal design allows a higher torque to be applied and will not round off existing nuts. Sockets manufactured to: **ANSI B107.5M:1987**. Accessories manufactured to: **ANSI B107.10M:1982**.



55 Piece Metric Standard & Deep Socket Set with Screwdriver Bits

3/8" Drive Bi-Hex Sockets Standard & Deep Sockets:

Sockets: 6, 7, 8, 9, 10, 11, 12, 13, 14, 15, 16, 17, 18, 19, 20, 21, and 22mm.

Deep Sockets: 10, 11, 12, 13, 14, 15, 17, 19 and 22mm.

Spark Plug Sockets: M10 and M14.

Screwdriver Bits: Phillips No.1, 2, 3.

Slotted 5, 6mm.

TX T10, T15, T20, T30, T40, T50.

Hex 3, 4, 5, 6, 8, 10mm. Hex bit coupler.

Accessories: Lever type ratchet, sliding T-handle, swivel handle, spinner handle, universal joint, 150 and 300mm extension bars, 250mm wobble extension. Fitted case with cushioned handle, snap shut clasp and padlock hole.



Number of Pieces	Weight each	Order Code YMT-582	Price/1 TB	Accessories	Order Code YMT-593	Price/1 TB
55	6.00kg	-6180K	7225.00	Replacement Case	-2870K	1100.00

55 Piece Metric & Inch

3/8" Drive Bi-Hex Sockets Standard & Deep Sockets

Sockets: 6, 7, 8, 9, 10, 11, 12, 13, 14, 15, 16, 17, 18, 19, 20, 21 and 22mm.

1/4", 5/16", 11/32", 3/8", 7/16", 1/2", 9/16", 5/8", 11/16", 3/4", 13/16", and 7/8" AF.

Deep Sockets: 10, 11, 12, 13, 14, 15, 17, 19, 22mm. 3/8", 7/16", 1/2", 9/16", 5/8", 11/16", 3/4" and 13/16" AF.

Spark Plug Sockets: M10 and M14.

Accessories: lever type ratchet, sliding T-handle, universal joint, 150 and 300mm extension bars, 250mm wobble extension, 1/4" hex bit coupler. Fitted case with cushioned handle, snap shut clasp and padlock hole.



Number of Pieces	Weight each	Order Code YMT-582	Price/1 TB	Accessories	Order Code YMT-593	Price/1 TB
55	5.70kg	-6200K	6811.00	Replacement Case	-2880K	1100.00

HAND TOOLS

GROUP 582 SOCKET SETS - 3/8" & 1/2" SQUARE DRIVE

YAMOTO
INDUSTRIAL SOCKET SETS

1/2" Square Drive Manufactured from industrial quality chrome vanadium steel with corrosion resistant high polish aluminium free mirror finish. The 12 point bi-hexagonal side drive sockets allow higher torques to be applied to nuts without damage and grip worn nuts. The strength and robust design of 1/2" drive make them suitable for the heavy use encountered in agriculture, service and maintenance industries. Sockets manufactured to: **ANSI B107.5M:1987**. Accessories manufactured to: **ANSI B107.10M:1982**.



30 Piece Metric

Sockets: 8, 9, 10, 11, 12, 13, 14, 15, 16, 17, 18, 19, 20, 21, 22, 23, 24, 25, 26, 27, 30 and 32mm.

Spark Plug Sockets: M14 and M10.

Accessories: quick release flick lever ratchet with rubber grip, T-handle uni-joint, 75, 125 and 250mm extension bars, robust fitted case with padlock hole and cushion grip handle.



Number of Pieces	Weight each	Order Code	Price/1 TB	Accessories	Order Code	Price/1 TB
30	6.00kg	-7992K	5804.00	Replacement Case	-2910K	1100.00

50 Piece Metric

Sockets: 8, 9, 10, 11, 12, 13, 14, 15, 16, 17, 18, 19, 20, 21, 22, 23, 24, 25, 26, 27, 28, 29, 30, 32, 33 and 36mm.

Screwdriver Bits: Hex 4, 5, 6, 7, 8, 10, 12, 14, 17 and 19mm.

Phillips No.2, No.3, No.4.

Chrome Molybdenum Screwdriver Bits: 9 and 14mm chemically blacked.

Spark Plug Sockets: M14 and M10.

Accessories: black rubber ratchet handle, T-handle, swivel handle, universal joint, 75, 125 and 250mm extension bars. Robust fitted case with magnetic parts tray, padlock hole and cushion grip handle.



Number of Pieces	Weight each	Order Code	Price/1 TB	Accessories	Order Code	Price/1 TB
50	10.3kg	-7994K	11253.00	Replacement Case	-2920K	1650.00

HAND TOOLS

KENNEDY **Oil Drain Plug Key Set**

DPK017

A comprehensive set of quality 3/8" sq. drive oil drain plug keys with tommy bar. Made from satin finished chrome vanadium.

Contents: Male Square: 7mm, 8mm (5/16"), 9mm, (3/8"), 10mm, 11mm, 12mm and 13mm. Female Square: 10mm.

Male Hex: 8, 9, 10, 12, 14 and 17mm.

Male Triangular 10mm.

Tommy bar.



17
PIECES

Product Number	Number of Pieces	Order Code	Price/1 TB
DPK017	17	-1720K	2369.00

Glow Plug Socket Set

GPS060

A comprehensive set of quality glow plug sockets with universal joints for use in awkward areas. Made from satin finished chrome vanadium with a neoprene insert to grip and protect the plug.

Contents: 8, 9, 10, 12, 14 and 16mm.



6
PIECES

Product Number	Number of Pieces	Order Code	Price/1 TB
GPS060	6	-1740K	2163.00

SENATOR
QUALITY TOOLING

Combined Socket & Wrench Tool Kit

The Senator 208 Piece Combined Socket and Wrench Tool Kit comes with a plastic storage case. **Contents:** 1/2" drive sockets: 13 - 32mm. **Drive deep sockets:** 16 to 22mm. **E-Sockets:** 20, 22, 24mm. **Screwdriver bits:** Hex 14mm, TX 70. **Converters:** 1/2" sq. male x 3/8" sq. female. **Accessories:** 125, 250mm extensions bars, 1/2" drive universal joint, T-bar, quick release offset bi-material ratchet handle. **3/8" drive sockets:** 10 - 19mm. **Deep sockets:** 10 - 15mm. **Spark plug sockets:** 16, 18, 21mm. **E-Sockets:** 10 - 18mm. **Screwdriver bits:** Slotted 6 - 12. PZ No. 1, 2, 3. Crosspoint No.1, 2, 3, 4. Hex 6 - 12mm. TX 40 - 60. Tamper proof TX 40 - 60. Spline 5, 6, 8. **Converters:** 3/8" sq. female x 5/16" hex drive, 3/8" sq. female x 1/4" sq. male. **Accessories:** 75mm extension bar, universal joint, quick release offset bi-material ratchet handle. **1/4" drive sockets:** 4 - 14mm. **Deep sockets:** 4 - 10mm. **E-Sockets:** 4 - 8mm. **Screwdriver bits:** Slotted 4 - 7mm. PZ No.0, 1, 2. Crosspoint No.0, 1, 2, TX 8 - 30. Tamper-proof TX 8 - 30. Hex 3 - 6mm. **Converters:** 1/4" sq. female x 1/4" hex drive. **Accessories:** 50, 100mm extension bars, universal joint, T-bar, nut spinner handle, quick release offset bi-material ratchet handle. **Combination spanners:** 8 - 19mm. **Hex key wrenches:** 1.5, 2.0, 2.5mm. **Magnetic bit:** 1/4" hex driver. **Screwdriver bits:** 1/4" hex driver. **Converter:** 2x 1/4" sq. male, **Slotted** 2x 3.5, 4mm 1x 5.5, 6.5, 8mm, **PZ** No.1, 2, 3, **Crosspoint** 2x No.0, 1, 2, 3, TX 10, 15, 20, 25, 27, 30, 40, **Tri-Wing** No.1, 2, 3, 4, **Square** 1, 2, 3, hex 2, 3, 4, 5, 6, 7mm.



208
PIECES

NEW

Number of Pieces	Weight each	Order Code SEN-582	Price/1 TB
208	10.7kg	-9000K	9500.00

SE24M - 24 Piece Metric

24
PIECES

Sockets: 10, 11, 12, 13, 14, 15, 16, 17, 18, 19, 20, 21, 22, 23, 24, 27, 30, and 32mm.

Accessories: ratchet handle, T-handle, speed brace, universal joint, 125 and 250mm extension bars.

SE24MA - 24 Piece Metric & Inch

As for SE24M except for:

HOME IMPROVER

Sockets: 10, 11, 12, 13, 14, 16, 17, 19, 20 and 22mm. **3/8", 7/16", 1/2", 9/16", 5/8", 3/4", 7/8" and 15/16" AF.**



Model Number	Number of Pieces	Weight each	Order Code SEN-582	Price/1 TB
SE24M	24	4.00kg	-0120K	3349.00
SE24MA	24	4.00kg	-0160K	3679.00

SE42MAW - 42 Piece Metric, Inch & Whitworth

Sockets: 10, 11, 12, 13, 14, 15, 17, 19, 20, 21, 22, 24 and 27mm. **3/8", 7/16", 1/2", 9/16", 5/8", 11/16", 3/4", 13/16", 7/8", 15/16", 1", 1 1/16", 1 1/4" AF. 1/8", 3/16", 1/4", 5/16", 3/8", 7/16", 1/2", 9/16" and 5/8" BSW.**

Spark Plug Socket: M14 (21mm).

Accessories: ratchet, T-handle, brace, universal joint, 125 and 250mm extension bars.

42
PIECES



Number of Pieces	Weight each	Order Code SEN-582	Price/1 TB
42	6.15kg	-0180K	5530.00

KENNEDY **Oxygen 'EGO', 'O2', 'Lambda' Sensor Socket Set**

3
PIECES

Three piece universal set. Essential for servicing today's computer-controlled vehicle systems. Easily removes exhaust gas oxygen sensors (known as 'EGO', 'O2' or 'Lambda' sensors), vacuum switches and pressure switches. Also suitable for diesel injectors found on Mitsubishi, Nissan, Opel, Vauxhall and VW vehicles. Made from heat treated cast steel.



Set contains:

22mm (7/8") hex, 1/2" square drive socket with 7.5mm side slot for sensor wire clearance. Socket has 22mm hex for use with a spanner. **Overall length:** 80mm. 22mm (7/8") hex, crow's foot style wrench, 1/2" square drive (double square for easy access). With full length 11mm slot for total clearance of switch/sensor wire. 22mm (7/8") hex, crow's foot style wrench, 3/8" square drive. With full length 8.6mm slot for total clearance of switch/sensor wire.

Description	Order Code KEN-503	Price/1 TB
Sensor Socket Set	-8020K	1787.00

Oil Filter Cap Wrench Set

Cap type filter wrenches made from chrome vanadium with a satin finish. Use with 3/8" or 1/2" square drive wrenches to remove paper cartridge style oil filters.

Contents: 24, 27, 30, 32, 36, 38mm and 1/2" - 3/8" adaptor.

NEW

7
PIECES



Diameter (mm)	Weight each	Order Code KEN-503	Price/1 TB
60 - 140	430g	-1790K	2575.00

PRODUCTS ARE ONLY AVAILABLE VIA YOUR DISTRIBUTOR

GROUP 582 SOCKETS SETS - 1/2" SQUARE DRIVE



1/2" Square Drive The most popular drive size used in the service and maintenance industries. This popularity is due to the strength and robust nature of 1/2" drive. All Kennedy Professional sockets have a knurl feature to give a high grip which is essential for a quick tool change when your hands are greasy/oily. The 12 point bi-hexagon side drive design will give a higher torque than normal sockets, grip worn nuts and will not round off existing nuts. Manufactured from chrome vanadium and are fully chrome plated with an aluminium free mirror finish. Chamfered leading edge ensures easy fastener location. Sockets manufactured to: **ANSI B107.5M : 1987, ANSI B107.1 : 1978 & BS 4006 : 1992.** Accessories manufactured to: **ANSI B107.10M : 1982 & BS 4006 : 1992.**



M20M - 20 Piece Metric



Sockets: 10, 11, 12, 13, 14, 15, 17, 19, 22, 24, 27, 30 and 32mm.

Spark Plug Sockets: M10 and M14.

Accessories: quick release ratchet handle, sliding T-handle, universal joint, 125 and 250mm extension bars. Robust fitted case with security padlock hole and cushion grip handle.



**20
PIECES**

Accessories

Number of Pieces	Weight each	Order Code KEN-582	Price/1 TB
20	4.90kg	-7983K	7903.00

Description	Order Code KEN-567	Price/1 TB
Locking Clasps (Pair)	-6000K	98.00

M25M - 25 Piece Metric



Sockets: 8, 9, 10, 11, 12, 13, 14, 15, 16, 17, 18, 19, 22, 24, 27, 30 and 32mm.

Spark Plug Sockets: M10 and M14.

Accessories: quick release ratchet handle, sliding T-handle, universal joint, 75, 125 and 250mm extension bars. Robust fitted case with security padlock hole and cushion grip handle.



**25
PIECES**

Accessories

Number of Pieces	Weight each	Order Code KEN-582	Price/1 TB
25	4.90kg	-7985K	8598.00

Description	Order Code KEN-567	Price/1 TB
Locking Clasps (Pair)	-6000K	98.00

M30MSH - 30 Piece Metric - Single Hexagon



Sockets: 8, 9, 10, 11, 12, 13, 14, 15, 16, 17, 18, 19, 20, 21, 22, 23, 24, 25, 26, 27, 30 and 32mm.

Spark Plug Sockets: M10 and M14.

Accessories: quick release ratchet handle, universal joint, sliding T-handle, 75, 125 and 250mm extension bars. Supplied in a fitted impact-resistant plastic carry case with a cushioned handle, snap-shut clasps and padlock hasp hole.



**30
PIECES**

Number of Pieces	Weight each	Order Code KEN-582	Price/1 TB
30	5.55kg	-7940K	7704.00

HAND TOOLS



1/2" Square Drive The most popular drive size used in the service and maintenance industries. This popularity is due to the strength and robust nature of 1/2" drive. All Kennedy Professional sockets have a knurl feature to give a high grip which is essential for a quick tool change when your hands are greasy/oily. The 12 point bi-hexagon side drive design will give a higher torque than normal sockets, grip worn nuts and will not round off existing nuts. Manufactured from chrome vanadium and are fully chrome plated with an aluminium free mirror finish. Chamfered leading edge ensures easy fastener location. Sockets manufactured to: **ANSI B107.5M : 1987, ANSI B107.1 : 1978 & BS 4006 : 1992.** Accessories manufactured to: **ANSI B107.10M : 1982 & BS 4006 : 1992.**



M30M - 30 Piece Metric

30 **PIECES**
Sockets: 8, 9, 10, 11, 12, 13, 14, 15, 16, 17, 18, 19, 20, 21, 22, 23, 24, 25, 26, 27, 30 and 32mm.

Spark Plug Sockets: M10 and M14.

Accessories: quick release ratchet handle, sliding T-handle, universal joint, 75, 125 and 250mm extension bars. Robust fitted case with security padlock hole and cushion grip handle.



Number of Pieces	Weight each	Order Code KEN-582	Price/1 TB
30	5.50kg	-7991K	7435.00

Accessories	Order Code KEN-567	Price/1 TB
Locking Clasps (Pr)	-6000K	98.00

M30MA - 30 Piece Metric & Inch

30 **PIECES**
Sockets: 8, 9, 10, 11, 12, 13, 14, 15, 16, 17, 18, 19, 22 and 24mm. 3/8", 7/16", 1/2", 9/16", 5/8", 11/16", 3/4" and 7/8" AF.

Spark Plug Sockets: M10 and M14.

Accessories: quick release ratchet handle, sliding T-handle, universal joint, 75, 125 and 250mm extension bars. Robust fitted case with security padlock hole and cushion grip handle.



Number of Pieces	Weight each	Order Code KEN-582	Price/1 TB
30	5.30kg	-7987K	8733.00

Accessories	Order Code KEN-567	Price/1 TB
Locking Clasps (Pr)	-6000K	98.00

MD30MA - 30 Piece Deep Metric & Inch

30 **PIECES**
Sockets: 10, 11, 12, 13, 14, 15, 16, 17, 18, 19, 21, 22, 24, 26, 27, 30 and 32mm. 1/2", 9/16", 5/8", 11/16", 3/4", 13/16", 7/8", 15/16", 1", 1 1/8" and 1 1/4" AF.

Accessories: offset handle, swivel handle. Parts tray with magnetic insert. Robust fitted case with security padlock hole and cushion grip handle.



Number of Pieces	Weight each	Order Code KEN-582	Price/1 TB
30	12.2kg	-7997K	9135.00

Accessories	Order Code KEN-567	Price/1 TB
Locking Clasps (Pr)	-6000K	98.00

PRODUCTS ARE ONLY AVAILABLE VIA YOUR DISTRIBUTOR

HAND TOOLS

GROUP 582 SOCKETS SETS - 1/2" SQUARE DRIVE

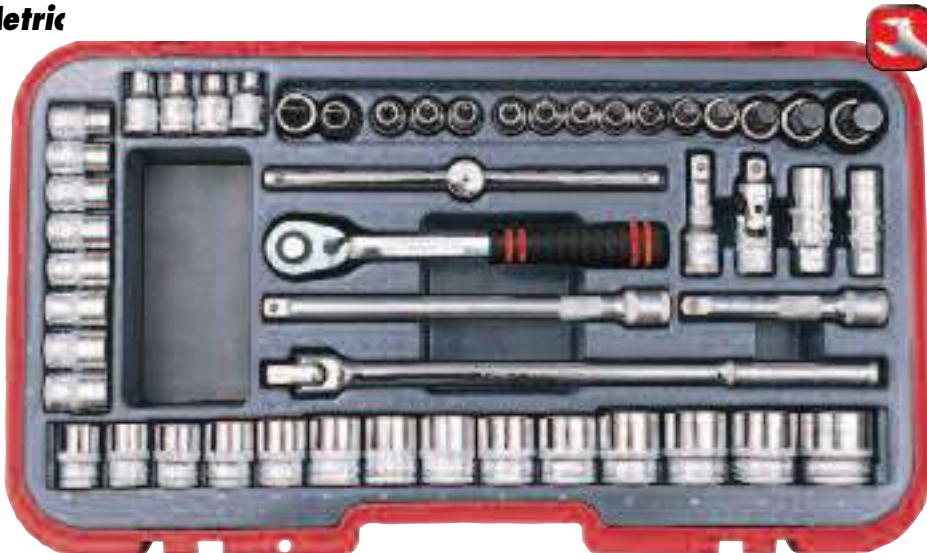
KENNEDY PROFESSIONAL MS50M - 50 Piece Metric with Driver Bits

Sockets: 8, 9, 10, 11, 12, 13, 14, 15, 16, 17, 18, 19, 20, 21, 22, 23, 24, 25, 26, 27, 28, 29, 30, 32, 33 and 36mm.

Screwdriver Bits: Crosspoint No.2, No.3, No.4. Hex 4, 5, 6, 7, 8, 10, 12, 14, 17 and 19mm. **Screwdriver Bits:** 9 and 14mm

Spark Plug Sockets: M10 and M14.

Accessories: Quick release ratchet handle, sliding T-handle, swivel handle, universal joint 75, 125 and 250mm extension bars. Parts tray with magnetic insert. Robust fitted case with security padlock hole and cushion grip handle.



50 PIECES

Number of Pieces	Weight each	Order Code KEN-582	Price/1 TB	Accessories	Order Code KEN-567	Price/1 TB
50	9.85kg	-7993K	14522.00	Locking Clasps (Pr)	-6000K	98.00

M70MAW - 70 Piece Metric, Inch & Whitworth

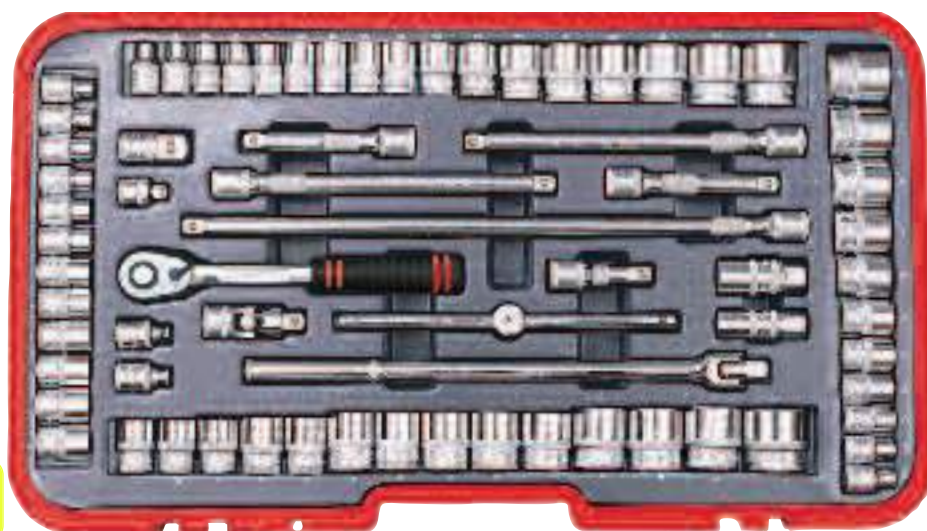
Sockets: 8, 9, 10, 11, 12, 13, 14, 15, 16, 17, 18, 19, 20, 21, 22, 23, 24, 25, 26, 27, 28, 29, 30, 32, 33 and 36mm. 5/16", 3/8", 7/16", 1/2", 9/16", 19/32", 5/8", 11/16", 3/4", 13/16", 7/8", 15/16", 1", 1 1/16", 1 1/8", 1 3/16" and 1 1/4" AF. 1/8", 3/16", 1/4", 5/16", 3/8", 7/16", 1/2", 9/16", 5/8", 11/16" and 3/4" Whit.

Hex Bit Adaptors: 1/4" and 5/16".

Spark Plug Sockets: M10 and M14.

Convertors: 1/2" sq. female x 3/4" sq. male, 1/2" sq. female x 3/8" sq. male.

Accessories: quick release ratchet handle, sliding T-handle, swivel handle, universal joint, 75, 125, 250, and 450mm extension bars, 125 and 250mm wobble extensions. Robust fitted case with security padlock hole and cushion grip handle.



70 PIECES

Number of Pieces	Weight each	Order Code KEN-582	Price/1 TB	Accessories	Order Code KEN-567	Price/1 TB
70	12.2kg	-7995K	16165.00	Locking Clasps (Pr)	-6000K	98.00

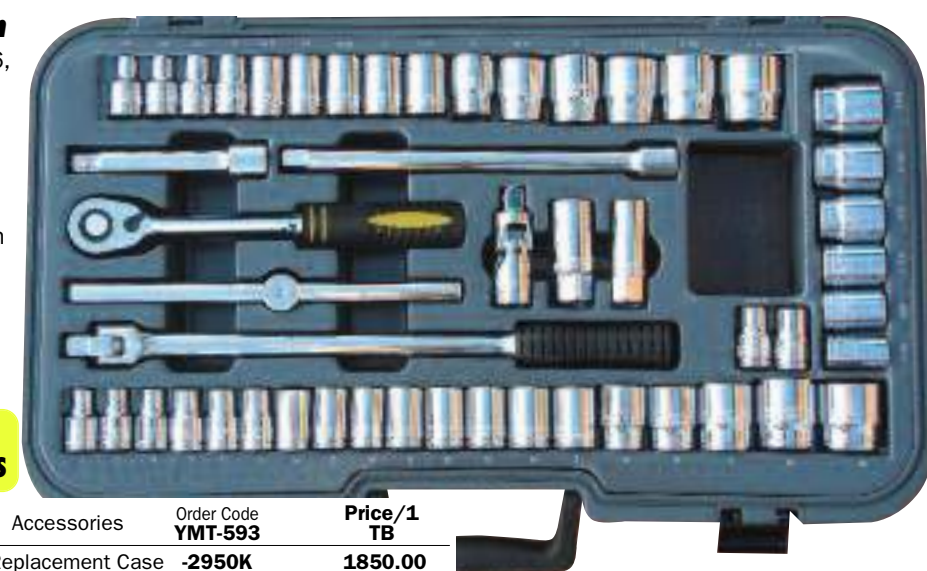
YAMOTO INDUSTRIAL SOCKET SETS 1/2" Square Drive Manufactured from industrial quality chrome vanadium steel with corrosion resistant high polish mirror finish, aluminium-free to ensure non-sparking. The 12 point bi-hexagonal side drive sockets allow higher torques to be applied to nuts without damage and to grip worn nuts. The strength and robust design of 1/2" drive make them suitable for the heavy use encountered in agriculture, service and maintenance industries. Sockets manufactured to: **ANSI B107.5M:1987**. Accessories manufactured to: **ANSI B107.10M:1982**.

50 Piece Metric, Inch & Whitworth

Sockets: 8, 9, 10, 11, 12, 13, 14, 15, 16, 17, 18, 19, 20, 21, 22, 24, 27, 30 and 32mm. 5/16", 3/8", 7/16", 1/2", 9/16", 5/8", 11/16", 3/4", 13/16", 7/8", 15/16", 1", 1 1/16", 1 1/8", 1 1/4" A/F. 3/16", 1/4", 5/16", 3/8", 7/16", 1/2", 9/16" and 5/8" Whit.

Spark Plug Sockets: M14 and M10.

Accessories: quick release flick lever ratchet with rubber grip, T-handle, swivel handle with rubber grip, universal joint, extension bars 125 and 250mm. Robust fitted case with magnetic parts tray, padlock hole and cushion grip handle.



50 PIECES

Number of Pieces	Weight each	Order Code YMT-582	Price/1 TB	Accessories	Order Code YMT-593	Price/1 TB
50	9.40kg	-7996K	8765.00	Replacement Case	-2950K	1850.00

HAND TOOLS

SENATOR SH 26MA - 26 Piece Metric & Inch
QUALITY TOOLING

Sockets: 22, 24, 27, 30, 32, 36, 38, 41, 46 and 50mm. 7/8", 15/16", 1", 1 1/8", 1 3/16", 1 5/16", 1 3/8", 1 7/16", 1 5/8", 1 3/4", 1 7/8" and 2" AF.

Accessories: 100 and 200mm extension bars, ratchet handle and T-handle.

**26
PIECES**

HOME IMPROVER

Number of Pieces	Weight each	Order Code	Price/1 TB
26	18.0kg	SEN-582 -0200K	11975.00



KENNEDY PROFESSIONAL

3/4" Drive A heavy duty range designed to cope with the demands of industrial agriculture machinery and heavy plant, static or mobile. All Kennedy Professional sockets have a knurl feature to give a high grip which is essential for a quick tool change when your hands are greasy/oily. The 12 point bi-hexagon side drive design will give a higher torque than normal sockets, grip worn nuts and will not round off existing nuts. Manufactured from chrome vanadium and are fully chrome plated with an aluminium free mirror finish. Chamfered leading edge ensures easy fastener location. Sockets manufactured to: **ANSI B107.5M: 1987, ANSI B107.1: 1978 & BS 4006: 1992.**

Accessories manufactured to:
ANSI B107.10M: 1982 & BS 4006: 1992.



L22M - 22 Piece Metric

Bi-Hexagon Sockets: 22, 24, 26, 27, 29, 30, 32, 33, 36, 38, 41, 46, 50, 55 and 60mm.

Accessories: lever type ratchet, sliding T-handle, swivel handle, universal joint, 100, 200 and 410mm extension bars. Robust fitted case with security padlock hole and cushion grip handle.

**22
PIECES**

Number of Pieces	Weight each	Order Code	Price/1 TB
22	23.8kg	KEN-582 -8720K	20530.00



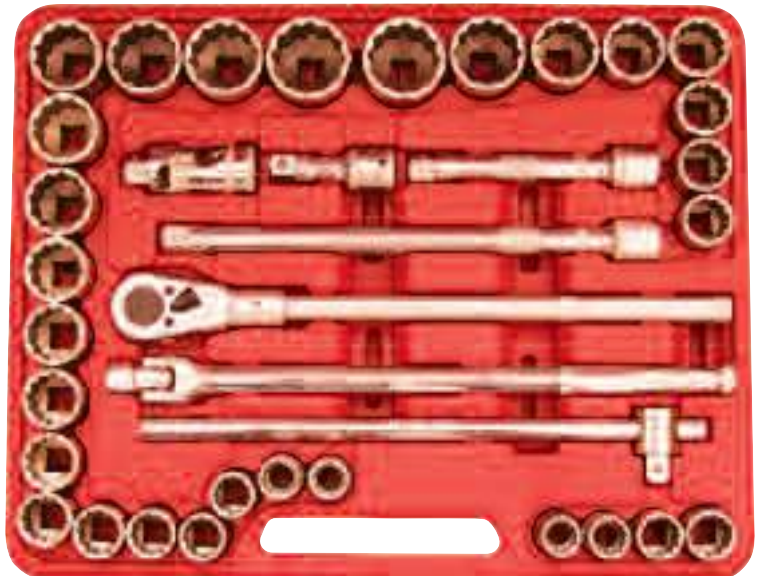
L36MA - 36 Piece Metric & Inch

Bi-Hexagon Sockets: 22, 24, 27, 29, 30, 32, 33, 36, 38, 41, 46, and 50mm. 7/8", 15/16", 1", 1 1/16", 1 1/8", 1 3/16", 1 5/16", 1 3/8", 1 7/16", 1 1/2", 1 5/8", 1 11/16", 1 3/4", 1 13/16", 1 7/8" and 2" AF.

Accessories: ratcheting head with 550mm universal handle, sliding T-handle, 1" to 3/4" converter, 200 and 400mm extension bars.

**36
PIECES**

Number of Pieces	Weight each	Order Code	Price/1 TB
36	29.3kg	KEN-582 -8740K	24379.00



15 Piece Metric Socket Set

Sockets: 36, 41, 46, 50, 55, 60, 65, 70, 75 and 80mm.

Accessories: ratchet and sliding T-handle, 550mm universal handle, 200 and 400mm extension bars.

**15
PIECES**

Number of Pieces	Weight each	Order Code	Price/1 TB
15	18.0kg	KEN-582 -9470K	35210.00



HAND TOOLS